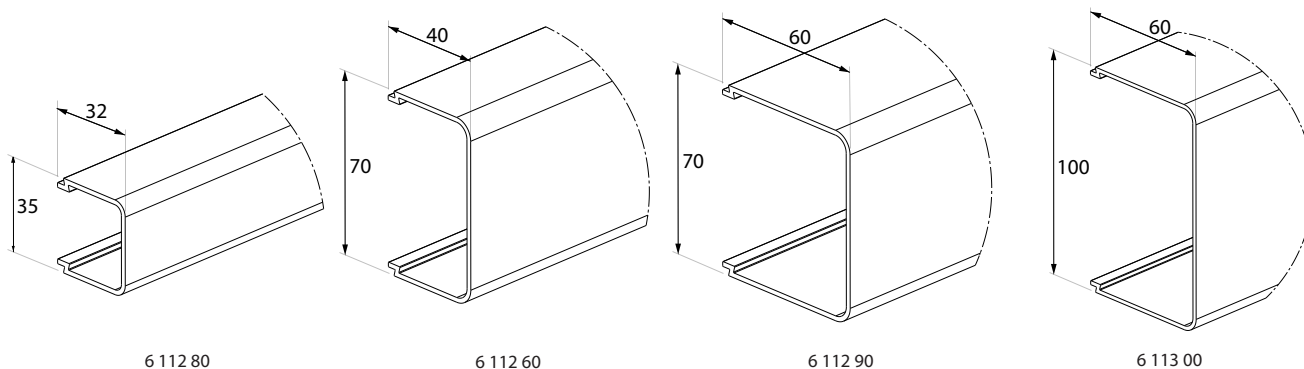


## DLP Trunking for fluids

Cat. No(s) : 611260/61/63/64/65/66/67/68/  
 69/70/75/80/83/84/85/86/87/88/90/93/94/95/96/97/98 - 611300/01/03/04/05/06/  
 07/08/09/10/11/80/81



### 1. USE

The DLP trunking system for fluids specially designed to hold and perfectly concealed pipes that are surface-mounted on walls.

Its design with rounded lines guarantees an aesthetic appearance suitable for installation in any location and for any type of application. The system is ideal for air conditioning, heating and plumbing applications, with a range specially designed to contain and hold pipes in position in the trunking.

Fixing principles specific to the type of installation:

- Air conditioning (2 types of installation)
- Plumbing/Sanitary (2 types of installation)

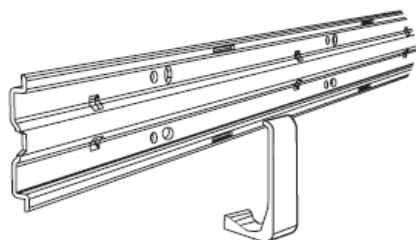
as described in following chapter 3 page 9.

### 2. RANGE

#### ■ 2.1 Flat bases cat. nos 6 112 61/6 113 01

designed to conceal pipes with thermal protection.  
 Delivered with pipe retainers

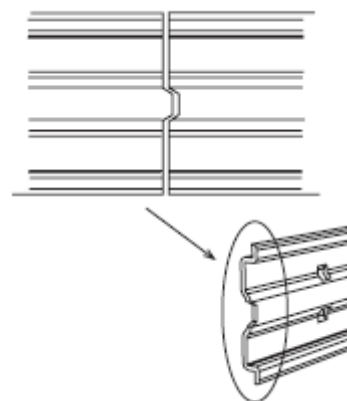
| Dimensions  | Références |
|-------------|------------|
| 40 x 70 mm  | 6 112 61   |
| 60 x 70 mm  |            |
| 60 x 100 mm | 6 113 01   |



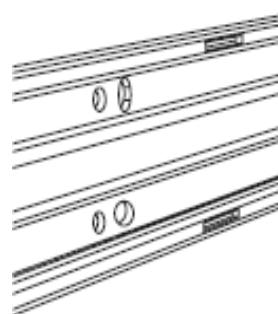
Delivered in length of 2 m  
 White color

### 2. RANGE (cont.)

Easy assembly and alignment of flat bases  
 Clip-on installation of cover

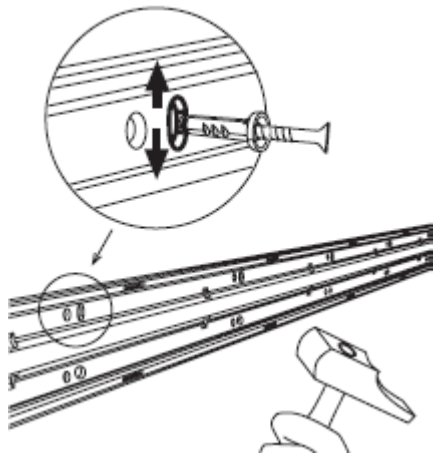


Oblong perforations in the bottom for quick fitting and easy adjustment of the base.



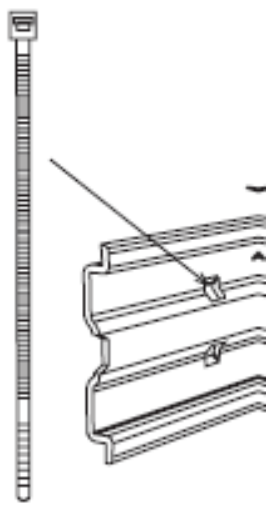
## 2. RANGE (cont.)

fixed itself on the wall using a drilling machine with anchors

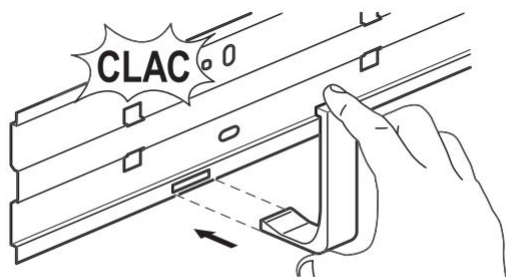


pipes can be pre-installed using pipe retainers positioned on the bottom as required, before being held in place by pipes ties.

Pipe ties:

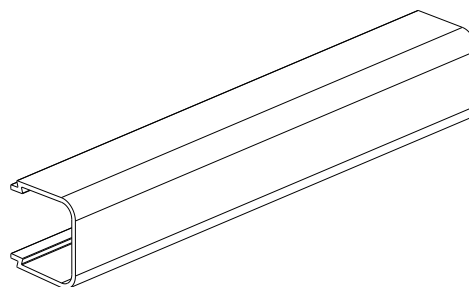


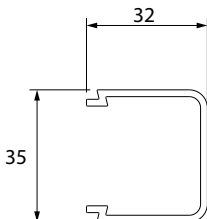
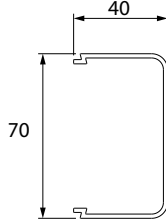
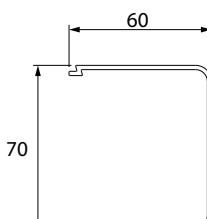
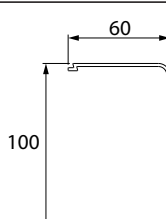
Pipe retainers:.



## 2. RANGE (cont.)

### ■ 2.2 Covers cat. nos 6 112 60/80/90 - 6 113 00



| Dimensions  | Covers  | Références |
|-------------|---|------------|
| 32 x 35 mm  |    | 6 112 80   |
| 40 x 70 mm  |  | 6 112 60   |
| 60 x 70 mm  |  | 6 112 90   |
| 60 x 100 mm |  | 6 113 00   |

Delivered in length of 2m

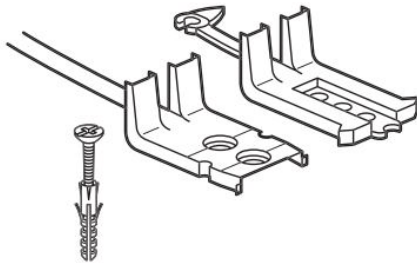
- Assembly with the flat base by clips.
- the compact size of the trunking and its rounded lines provide a perfect integration. Flat base can easily be added and it can be installed anywhere.

White color

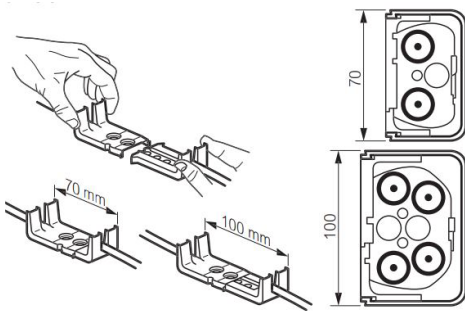
## 2. RANGE (cont.)

### ■ 2.3 Installation accessories for air conditioning application: Pipe clips cat. no 6 113 80

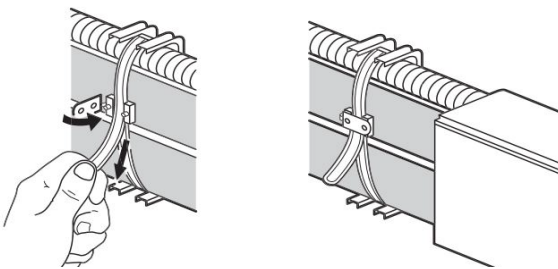
Delivered in two parts attached with a bond (ankles to be delivered with the support)



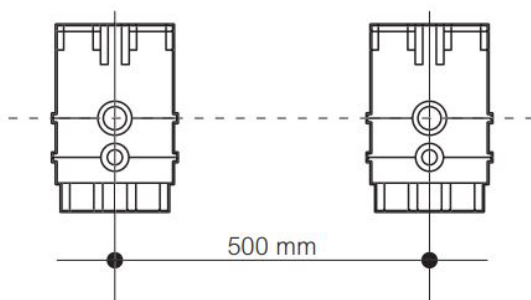
Adjusting the support according to the size of the cover



Place and hook the pipes with a pipe tie



- an economic solution.
- restricted volume.
- the cover can be added later on.
- only one reference for 3 dimensions of cover (40x70-60x70 & 60x100)

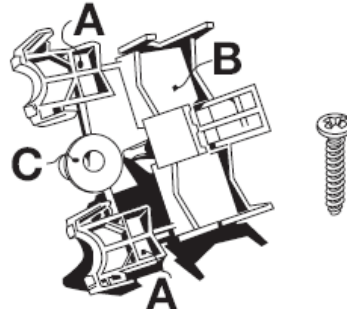


It is recommended that pipe clips are fitted every 50cm to ensure alignment

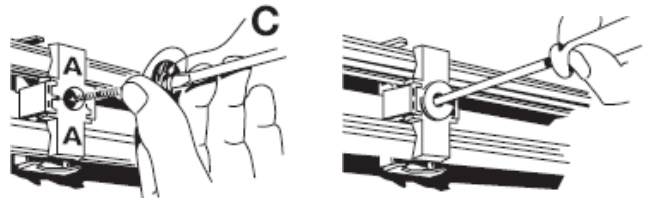
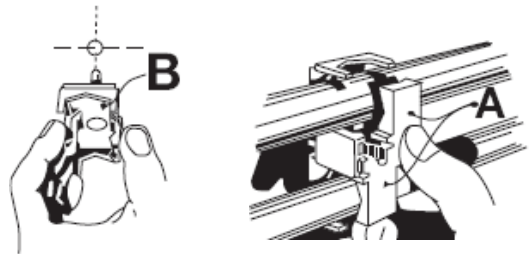
## 2. RANGE (cont.)

### ■ 2.4 Installation accessories for sanitary application: Pipe clips between Ø 10 to 22mm cat. no. 6 113 81

Delivered in four parts attached with a bond

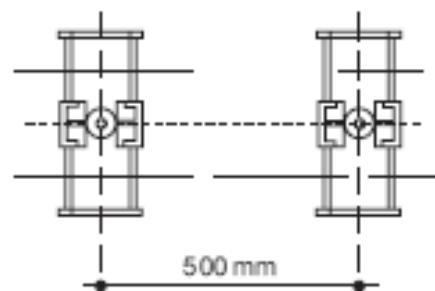


Adjusting the support according to the diameters (ranging from 10 to 22mm)



Heating and plumbing :

- pipe support to fit pipes from 10 to 22mm in plumbing and heating installations



It is recommended that pipe clips are fitted every 50cm to ensure alignment

## 2. RANGE (cont.)

### ■ 2.5 End cap cat. nos 6 112 63/83/93 - 6 113 03



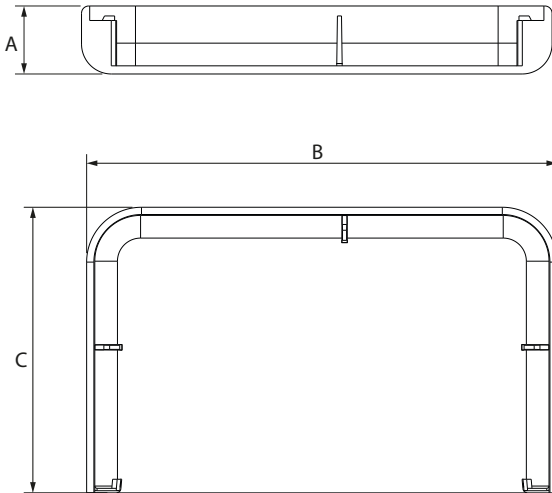
Allows to block the end of the body:  
- respect of the degree protection  
- improvement of aesthetics (covering of the cut)

Assembly on the body by fitment

White color

| Cat. Nos | To use with |
|----------|-------------|
| 6 112 83 | 32 x 35     |
| 6 112 63 | 40 x 70     |
| 6 112 93 | 60 x 70     |
| 6 113 03 | 60 x 100    |

Dimensions (mm) :



| Dimensions | Cat. Nos | A  | B   | C  |
|------------|----------|----|-----|----|
| 32 x 35    | 6 112 83 | 15 | 38  | 35 |
| 40 x 70    | 6 112 63 | 15 | 73  | 42 |
| 60 x 70    | 6 112 93 | 15 | 73  | 62 |
| 60 x 100   | 6 113 03 | 15 | 104 | 62 |

## 2. RANGE (cont.)

### ■ 2.6 Cover joint cat. nos 6 112 67/87/97 - 6 113 07



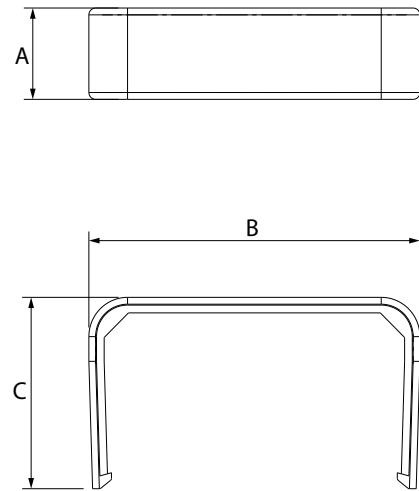
Allows:  
- the junction to assemble with two covers of the same section  
- respect of the degree protection  
- to improve aesthetics (covering of the cut)

Assembly of the joint by clips

White color

| Cat. Nos | To use with |
|----------|-------------|
| 6 112 87 | 32 x 35     |
| 6 112 67 | 40 x 70     |
| 6 112 97 | 60 x 70     |
| 6 113 07 | 60 x 100    |

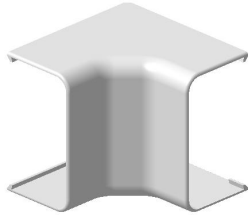
Dimensions (mm) :



| Dimensions | Cat. Nos | A  | B   | C  |
|------------|----------|----|-----|----|
| 32 x 35    | 6 112 87 | 15 | 38  | 35 |
| 40 x 70    | 6 112 67 | 20 | 73  | 42 |
| 60 x 70    | 6 112 97 | 20 | 73  | 62 |
| 60 x 100   | 6 113 07 | 20 | 104 | 62 |

2. RANGE (cont.)

■ 2.7 Internal angle cat. nos 6 112 65/85/95 - 6 113 05



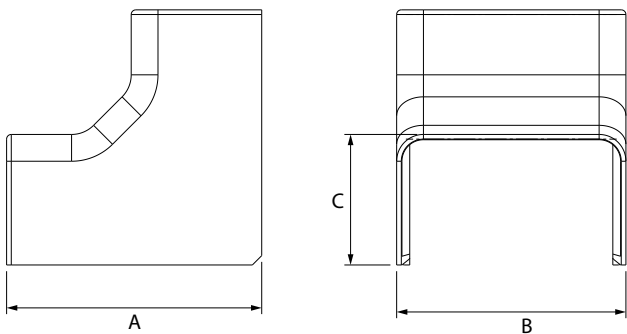
Internal angle to assemble with two pieces of the same section:

- respect of the index of protection
- improves aesthetics (covering of the cut)

Assembly on the flat base by clips.  
For fixed internal angle (90°)  
White color.

| Cat. Nos | To use with |
|----------|-------------|
| 6 112 85 | 32 x 35     |
| 6 112 65 | 40 x 70     |
| 6 112 95 | 60 x 70     |
| 6 113 05 | 60 x 100    |

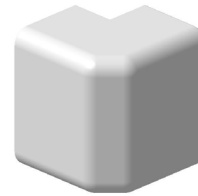
Dimensions (mm) :



| Dimensions | Cat. Nos | A   | B   | C  |
|------------|----------|-----|-----|----|
| 32 x 35    | 6 112 85 | 64  | 38  | 35 |
| 40 x 70    | 6 112 65 | 82  | 73  | 42 |
| 60 x 70    | 6 112 95 | 82  | 73  | 62 |
| 60 x 100   | 6 113 05 | 113 | 104 | 62 |

2. RANGE (cont.)

■ 2.8 External angle cat. nos 6 112 66/86/96/ - 6 113 06



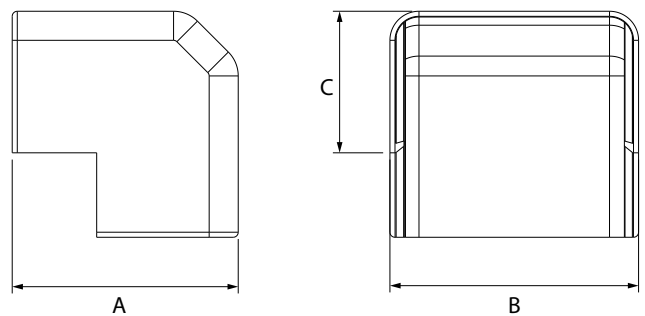
External angle to assemble with two pieces of the same section:

- respect of the index of protection
- improves aesthetics (covering of the cut)

Assembly on the flat base by clips.  
For fixed external angle (90°)  
White color.

| Cat. Nos | To use with |
|----------|-------------|
| 6 112 86 | 32 x 35     |
| 6 112 66 | 40 x 70     |
| 6 112 96 | 60 x 70     |
| 6 113 06 | 60 x 100    |

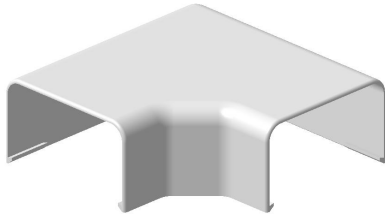
Dimensions (mm) :



| Dimensions | Cat. Nos | A  | B   | C  |
|------------|----------|----|-----|----|
| 32 x 35    | 6 112 86 | 52 | 38  | 35 |
| 40 x 70    | 6 112 66 | 67 | 73  | 42 |
| 60 x 70    | 6 112 96 | 67 | 73  | 42 |
| 60 x 100   | 6 113 06 | 92 | 104 | 62 |

**2. RANGE (cont.)**

■ **2.9 Flat angle cat. nos 6 112 64/84/94 - 6 113 04**



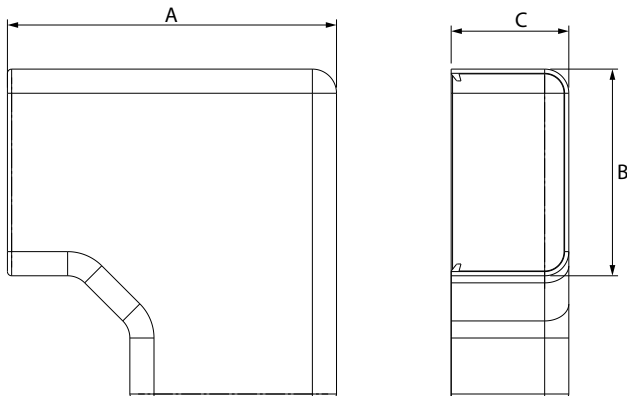
Flat angle to assemble with two pieces of the same section:

- respect of the index of protection
- improves aesthetics (covering of the cut)

Assembly on the flat base by clips.  
For fixed flat angle (90°)  
White color.

| Cat. Nos | To use with |
|----------|-------------|
| 6 112 84 | 32 x 35     |
| 6 112 64 | 40 x 70     |
| 6 112 94 | 60 x 70     |
| 6 113 04 | 60 x 100    |

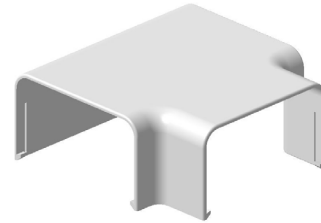
Dimensions (mm):



| Dimensions | Cat. Nos | A   | B   | C  |
|------------|----------|-----|-----|----|
| 32 x 35    | 6 112 84 | 68  | 38  | 35 |
| 40 x 70    | 6 112 64 | 117 | 73  | 42 |
| 60 x 70    | 6 112 94 | 117 | 73  | 62 |
| 60 x 100   | 6 113 04 | 160 | 104 | 62 |

**2. RANGE (cont.)**

■ **2.10 Tee junction cat. nos 6 112 68/88/98 - 6 113 08**



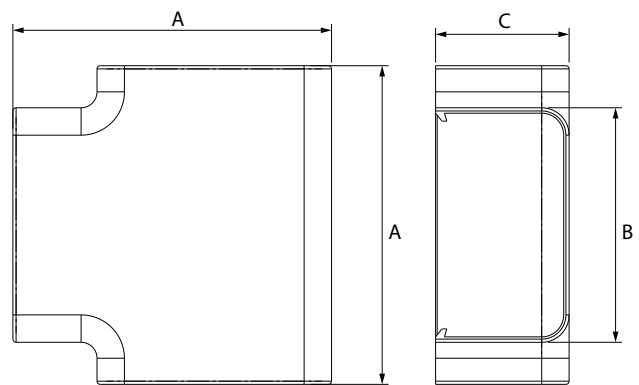
Tee junction to assemble with two pieces of the same section:

- respect of the index of protection
- improves aesthetics (covering of the cut)

Assembly on the flat base by clips.  
White color

| Cat. Nos | To use with |
|----------|-------------|
| 6 112 88 | 32 x 35     |
| 6 112 68 | 40 x 70     |
| 6 112 98 | 60 x 70     |
| 6 113 08 | 60 x 100    |

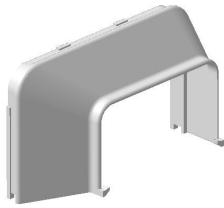
Dimensions (mm):



| Dimensions | Cat. Nos | A   | B   | C  |
|------------|----------|-----|-----|----|
| 32 x 35    | 6 112 88 | 58  | 38  | 35 |
| 40 x 70    | 6 112 68 | 100 | 73  | 42 |
| 60 x 70    | 6 112 98 | 100 | 73  | 62 |
| 60 x 100   | 6 113 08 | 132 | 104 | 62 |

2. RANGE (cont.)

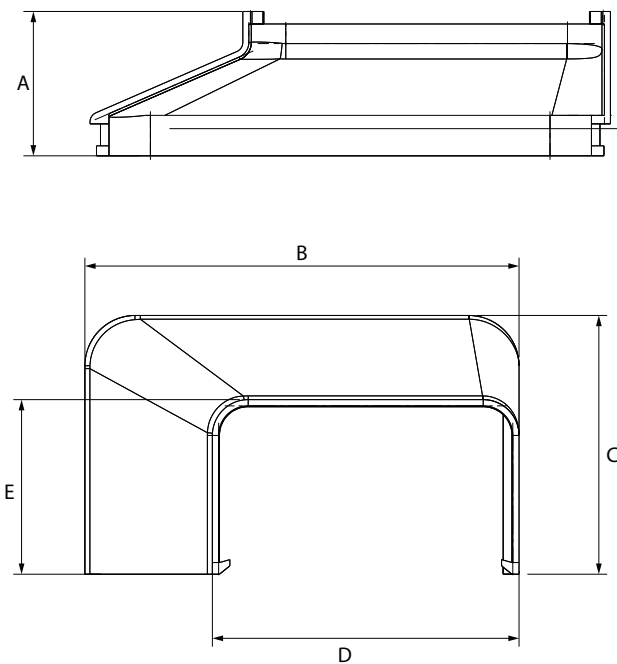
■ 2.11 Reduction for tee junction cat. nos 6 113 11 - 6 112 75



Allow the reduction from 60 x 100 to 40 x 70 or from 40 x 70 to 32 x 35  
- respect of the index of protection  
- improves aesthetics (covering of the cut)  
White color

| Cat. Nos | To use with         |
|----------|---------------------|
| 6 112 75 | 40 x 70 to 32 x 35  |
| 6 113 11 | 60 x 100 to 40 x 70 |

Dimensions (mm):

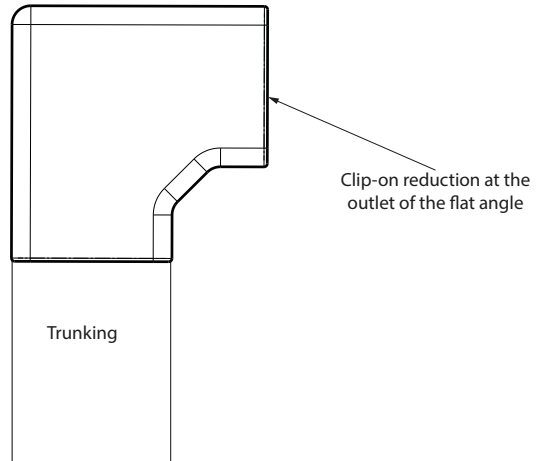


| Cat. Nos | A  | B   | C  | D  | E  |
|----------|----|-----|----|----|----|
| 6 112 75 | 20 | 74  | 42 | 38 | 35 |
| 6 113 11 | 29 | 104 | 62 | 74 | 42 |

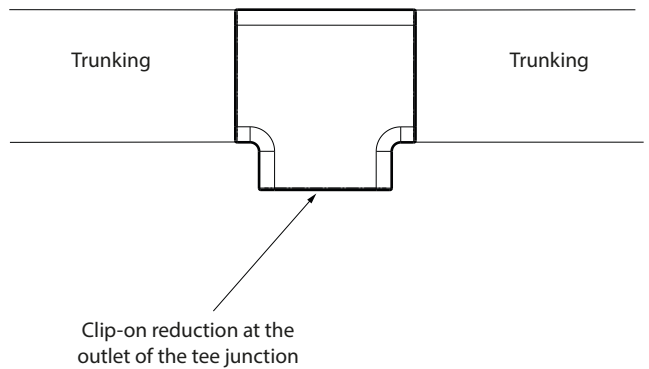
2. RANGE (cont.)

Assembly by clips on the end of an accessory:

- with a flat angle for 60 x 100 or 40 x 70 (the reduction is fixed on the exit of the flat angle making it possible to set out again with a lid of 40x70 or 32 x 35).



- with a tee junction for 60x100 or 40 x 70 (the reduction is fixed on the exit of the tee junction making it possible to set out again with a lid of 40x70 or 32 x 35).



2. RANGE (cont.)

■ 2.12 Wall passage cat. nos 6 112 70 - 6 113 10



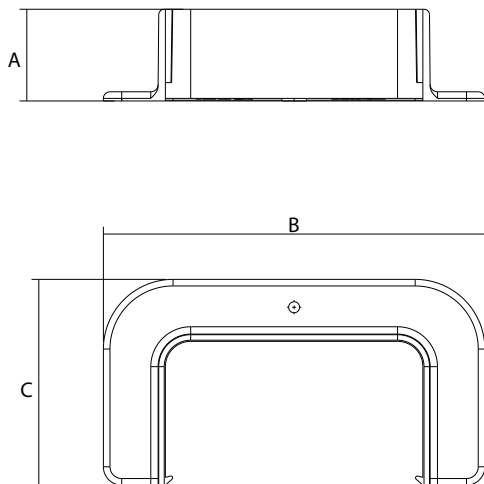
Allows:  
- to improve aesthetics (to provide an excellent finish between the trunking and the wall).

Assembly of the wall passage by clips on the flat base.

White color

| Cat. Nos | Use with |
|----------|----------|
| 6 112 70 | 40 x 70  |
| 6 113 10 | 60 x 100 |

Dimensions (mm) :



| Dimensions | Cat. Nos | A  | B   | C  |
|------------|----------|----|-----|----|
| 40 x 70    | 6 112 70 | 25 | 104 | 56 |
| 60 x 100   | 6 113 10 | 28 | 135 | 77 |

2. RANGE (cont.)

■ 2.13 Corner wall passage cat. nos 6 112 69 - 6 113 09



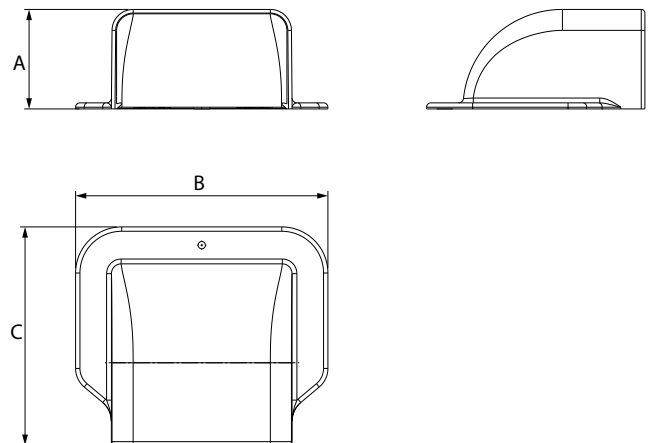
Allows:  
- specific accessories: specially for air conditioning, to provide an excellent finish between the trunking and the wall.

Assembly of the corner wall passage by clips on the flat base.

White color

| Cat. Nos | Use with |
|----------|----------|
| 6 112 69 | 40 x 70  |
| 6 113 09 | 60 x 100 |

Dimensions (mm) :



| Dimensions | Cat. Nos | A  | B   | C   |
|------------|----------|----|-----|-----|
| 40 x 70    | 6 112 69 | 42 | 104 | 90  |
| 60 x 100   | 6 113 09 | 62 | 145 | 130 |





## 3. INSTALLATION



Fixing principles specific to the type of installation:

- Air conditioning (2 types of installation)
- Plumbing/Sanitary (2 types of installation)

### ■ 3.1 AIR CONDITIONING Installation

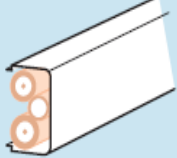
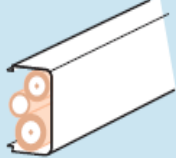
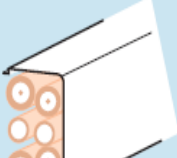
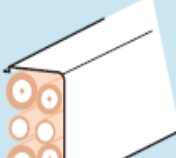

| with using Flat base  | or | with using Pipe clips   |
|---|----|---|
|  |    |  |
| + Cover 40x70 or 60x70 or 60x100  |    |   |

### ■ 3.2 PLUMBING/SANITARY Installation

| with using pipe clip in vertical position (2 pipes/diameter from 10 to 22 mm)       | or | with using Pipe clips in horizontal position (1 pipe / diameter from 10 to 22 mm)   |
|---|----|---|
|  |    |  |
| + Cover 40x70 or 60x70  |    | + Cover 32x35   |

## 4. TECHNICAL CHARACTERISTICS

### ■ 4.1 Composition of the installation for an air conditioning installation

|                                | Less than 3000 W   |         | Between 3000 and 5000 W   |         | Greater than 5000 W   |         |
|--------------------------------|--|---------|---|---------|---|---------|
|                                | Liquid   | Gas     | Liquid  | Gas     | Liquid  | Gas     |
|                                | 1/4"   | 3/8"    | 1/4"  | 1/2"    | 3/8"  | 5/8"    |
|                                | Ø 25 mm  | Ø 28 mm | Ø 25 mm   | Ø 31 mm | Ø 28 mm   | Ø 34 mm |
| 40 x 70 & 60 x 70 single split |  |         |  |         |   |         |
| 60 x 100 single and dual-split |  |         |  |         |  |         |

For information, this range:

- does not receive wire equipment
- ensure only air conditioning installation or plumbing application

Indoor and outdoor applications:

Its design and the materials used make the trunking suitable for both indoor use and outdoor use

### ■ 4.2 Material characteristics

Bases & covers: Artic white PVC  
Finishing accessories: Artic white ABS  
Pipe clips, black color: PP

**4. TECHNICAL CHARACTERISTICS (cont.)**

**■ 4.3 Classification of DLP Trunking for fluids according to EN 50085-2-1**

|   |  |
|---|--|
| 6.2 Resistance to impact for installation and application | 2.0J   |
| 6.3 Minimum storage and transport temperature             | - 25°C                                       |
| 6.3 Minimum installation and application temperature      | - 25°C                                       |
| 6.3 Maximum application temperature                       | + 60°C                                       |
| 6.4 Resistance to flame propagation                       | Non-flame propagating                        |
| 6.5 Electrical continuity characteristic                  | Without electrical continuity characteristic |
| 6.6 Electrical insulating characteristic                  | With electrical insulating characteristic    |
| 6.7 Degrees of protection provided by enclosure           | IP 20  |
| 6.9 The system access cover retention                     | With a tool                                  |
| 6.101 The position when surface mounted                   | Wall fixed                                   |
| 6.102 The functions provided                              | Type 1                                       |
| Rated current   | 500 V  |
| Protection against mechanical shocks                      | IK 07  |

**■ 4.4 Composition & functions of DLP Trunking for fluids according to EN 50085-2-1 white color**

| DLP Trunking for fluids |                   |                            |
|-------------------------|-------------------|----------------------------|
| Body/covers             | Cat. Nos          | Section (mm <sup>2</sup> ) |
| 32 x 35                 | 6 112 80          | 794 mm <sup>2</sup>        |
| 40 x 70                 | 6 112 61/6 112 60 | 1850 mm <sup>2</sup>       |
| 60 x 70                 | 6 112 61/6 112 90 | 3178 mm <sup>2</sup>       |
| 60 x 100                | 6 113 01/6 113 00 | 4123 mm <sup>2</sup>       |

**■ 4.5 Additional specificities**

|             | M1  | ROHS | CAN BE PAINTED<br>(Alkyd / Acrylic)     | ULTRAVIOLET<br>RESISTANCE   |
|-------------|-----|------|---|---|
| Flat base   | YES | YES  | YES<br>(according to the preconditions) | 5 years warranty according to the norm NF EN 20105-A02.<br>Limited to the places<br>where annual irradiance is < to 120 000 Langleys. |
| Covers      |     |      |   |   |
| Accessories |     |      |   |   |