

Revision E:

- MSZ-AP25/35/42/50/60/71VG - [E3], [ET3], MSZ-AP25/35/42/50/60/71VGK - [E3], [ET3], [ER3] and MSZ-AP25/35/42/50VGK - [EN3] have been added.

OBH788 REVISED EDITION-D is void.

INDOOR UNIT

SERVICE MANUAL

No. OBH788
REVISED EDITION-E

Models

MSZ-AP25VG - [E1], [EN1], [ET1], [ER1], [E2], [EN2], [ET2], [E3], [ET3]

MSZ-AP35VG - [E1], [EN1], [ET1], [ER1], [E2], [EN2], [ET2], [E3], [ET3]

MSZ-AP42VG - [E1], [EN1], [ET1], [ER1], [E2], [EN2], [ET2], [E3], [ET3]

MSZ-AP50VG - [E1], [EN1], [ET1], [ER1], [E2], [EN2], [ET2], [E3], [ET3]

MSZ-AP60VG - [E1], [ET1], [ER1], [E2], [ET2], [E3], [ET3]

MSZ-AP71VG - [E1], [ET1], [ER1], [E2], [ET2], [E3], [ET3]

MSZ-AP25VGK - [E1], [EN1], [ET1], [ER1], [E2], [EN2], [ET2], [ER2], [E3], [EN3], [ET3], [ER3]

MSZ-AP35VGK - [E1], [EN1], [ET1], [ER1], [E2], [EN2], [ET2], [ER2], [E3], [EN3], [ET3], [ER3]

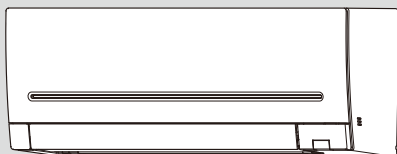
MSZ-AP42VGK - [E1], [EN1], [ET1], [ER1], [E2], [EN2], [ET2], [ER2], [E3], [EN3], [ET3], [ER3]

MSZ-AP50VGK - [E1], [EN1], [ET1], [ER1], [E2], [EN2], [ET2], [ER2], [E3], [EN3], [ET3], [ER3]

MSZ-AP60VGK - [E1], [ET1], [ER1], [E2], [ET2], [ER2], [E3], [ET3], [ER3]

MSZ-AP71VGK - [E1], [ET1], [ER1], [E2], [ET2], [ER2], [E3], [ET3], [ER3]

Outdoor unit service manual
MUZ-AP-VG/VGH Series (OBH789)
MXZ-D-VA/VAH Series (OBH626)
MXZ-E-VA/VAH Series (OBH723)
MXZ-F-VF/VFH Series (OBH790)



MSZ-AP25VG	MSZ-AP25VGK
MSZ-AP35VG	MSZ-AP35VGK
MSZ-AP42VG	MSZ-AP42VGK
MSZ-AP50VG	MSZ-AP50VGK

CONTENTS

1. TECHNICAL CHANGES	3
2. PART NAMES AND FUNCTIONS	4
3. SPECIFICATION	6
4. NOISE CRITERIA CURVES.....	8
5. OUTLINES AND DIMENSIONS.....	10
6. WIRING DIAGRAM.....	11
7. REFRIGERANT SYSTEM DIAGRAM	21
8. SERVICE FUNCTIONS.....	22
9. MICROPROCESSOR CONTROL	24
10. TROUBLESHOOTING.....	32
11. DISASSEMBLY INSTRUCTIONS.....	48

PARTS CATALOG (OBB788)

Use the specified refrigerant only

Never use any refrigerant other than that specified.

Doing so may cause a burst, an explosion, or fire when the unit is being used, serviced, or disposed of.

Correct refrigerant is specified in the manuals and on the spec labels provided with our products.

We will not be held responsible for mechanical failure, system malfunction, unit breakdown or accidents caused by failure to follow the instructions.

<Preparation before the repair service>

- Prepare the proper tools.
- Prepare the proper protectors.
- Provide adequate ventilation.
- After stopping the operation of the air conditioner, turn off the power-supply breaker and pull the power plug.
- Discharge the capacitor before the work involving the electric parts.

<Precautions during the repair service>

- Do not perform the work involving the electric parts with wet hands.
- Do not pour water into the electric parts.
- Do not touch the refrigerant.
- Do not touch the hot or cold areas in the refrigeration cycle.
- When the repair or the inspection of the circuit needs to be done without turning off the power, exercise great caution not to touch the live parts.

WARNING

- When the refrigeration circuit has a leak, do not execute pump down with the compressor.
- When pumping down the refrigerant, stop the compressor before disconnecting the refrigerant pipes. The compressor may burst if air etc. get into it.
- When opening or closing the valve below freezing temperatures, refrigerant may spurt out from the gap between the valve stem and the valve body, resulting in injuries.

Revision A:

- MSZ-AP25/35/42/50VG- ET1 and MSZ-AP25/35/42/50VGK- ET1 have been added.

Revision B:

- MSZ-AP25/35/42VG- ER1, MSZ-AP25/35/42VGK- ER1, MSZ-AP60/71VG- E1, ET1 and MSZ-AP60/71VGK- E1, ET1 have been added.

Revision C:

- MSZ-AP25/35/42VG- E2, EN2, ET2, MSZ-AP25/35/42VGK- E2, EN2, ET2, MSZ-AP50VG- ER1, E2, EN2, ET2, MSZ-AP50VGK- ER1, E2, EN2, ET2, MSZ-AP60/71VG- ER1, E2, ET2, MSZ-AP60/71VGK- ER1, E2, ET2, have been added.

Revision D:

- MSZ-AP25/35/42/50/60/71VGK- ER2 have been added.

Revision E:

- MSZ-AP25/35/42/50/60/71VG - E3, ET3, MSZ-AP25/35/42/50/60/71VGK - E3, ET3, ER3 and MSZ-AP25/35/42/50VGK - EN3 have been added.

1

TECHNICAL CHANGES

These models are compatible with the outdoor units with low standby power control.

Connecting these models to the **MUZ-AP-VG/VGH** series outdoor units enables the low standby power control.

These models may be connected to the **MUZ-AP-VG/VGH** series after once connected to the **MXZ** series and operated, for example because of relocation. In that case, the **MUZ-AP-VG/VGH** series outdoor units will not operate without taking a step. Follow the procedure "Deleting the memorized abnormal condition" described in 10-2.1.

MSZ-AP25VG - E1, EN1, ET1, ER1

MSZ-AP35VG - E1, EN1, ET1, ER1

MSZ-AP42VG - E1, EN1, ET1, ER1

MSZ-AP50VG - E1, EN1, ET1, ER1

MSZ-AP25VGK - E1, EN1, ET1, ER1

MSZ-AP35VGK - E1, EN1, ET1, ER1

MSZ-AP42VGK - E1, EN1, ET1, ER1

MSZ-AP50VGK - E1, EN1, ET1, ER1

MSZ-AP60VG - E1, ET1, ER1

MSZ-AP71VG - E1, ET1, ER1

MSZ-AP60VGK - E1, ET1, ER1

MSZ-AP71VGK - E1, ET1, ER1

1. New model

MSZ-AP25VG - E1, EN1, ET1 → E2, EN2, ET2

MSZ-AP35VG - E1, EN1, ET1 → E2, EN2, ET2

MSZ-AP42VG - E1, EN1, ET1 → E2, EN2, ET2

MSZ-AP50VG - E1, EN1, ET1 → E2, EN2, ET2

MSZ-AP25VGK - E1, EN1, ET1, ER1 → E2, EN2, ET2, ER2

MSZ-AP35VGK - E1, EN1, ET1, ER1 → E2, EN2, ET2, ER2

MSZ-AP42VGK - E1, EN1, ET1, ER1 → E2, EN2, ET2, ER2

MSZ-AP50VGK - E1, EN1, ET1, ER1 → E2, EN2, ET2, ER2

MSZ-AP60VG - E1, ET1 → E2, ET2

MSZ-AP71VG - E1, ET1 → E2, ET2

MSZ-AP60VGK - E1, ET1, ER1 → E2, ET2, ER2

MSZ-AP71VGK - E1, ET1, ER1 → E2, ET2, ER2

1. Remote controller has been changed.

2. Wi-Fi interface has been changed.

MSZ-AP25VG - E2, ET2 → E3, ET3

MSZ-AP35VG - E2, ET2 → E3, ET3

MSZ-AP42VG - E2, ET2 → E3, ET3

MSZ-AP50VG - E2, ET2 → E3, ET3

MSZ-AP25VGK - E2, EN2, ET2, ER2 → E3, EN3, ET3, ER3

MSZ-AP35VGK - E2, EN2, ET2, ER2 → E3, EN3, ET3, ER3

MSZ-AP42VGK - E2, EN2, ET2, ER2 → E3, EN3, ET3, ER3

MSZ-AP50VGK - E2, EN2, ET2, ER2 → E3, EN3, ET3, ER3

MSZ-AP60VG - E2, ET2 → E3, ET3

MSZ-AP71VG - E2, ET2 → E3, ET3

MSZ-AP60VGK - E2, ET2, ER2 → E3, ET3, ER3

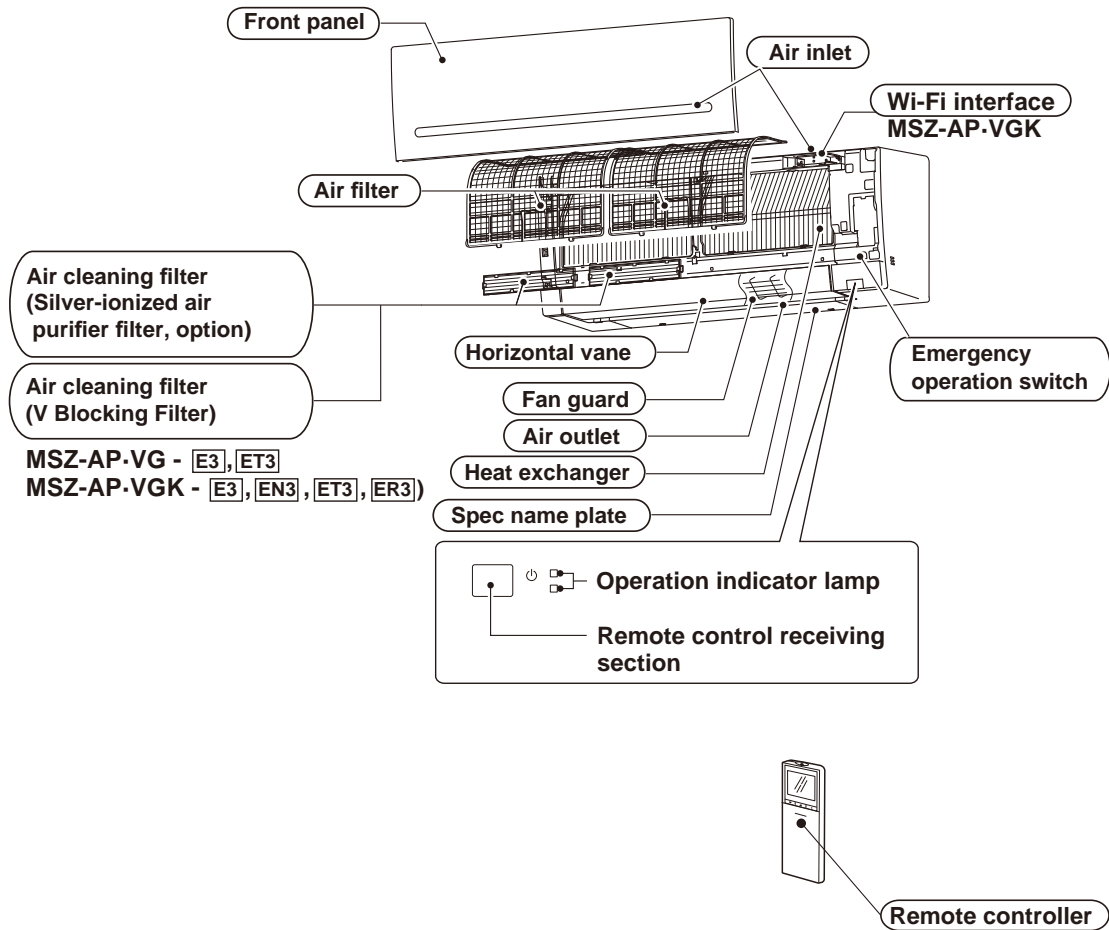
MSZ-AP71VGK - E2, ET2, ER2 → E3, ET3, ER3

1. New air cleaning filter has been added.

2

PART NAMES AND FUNCTIONS

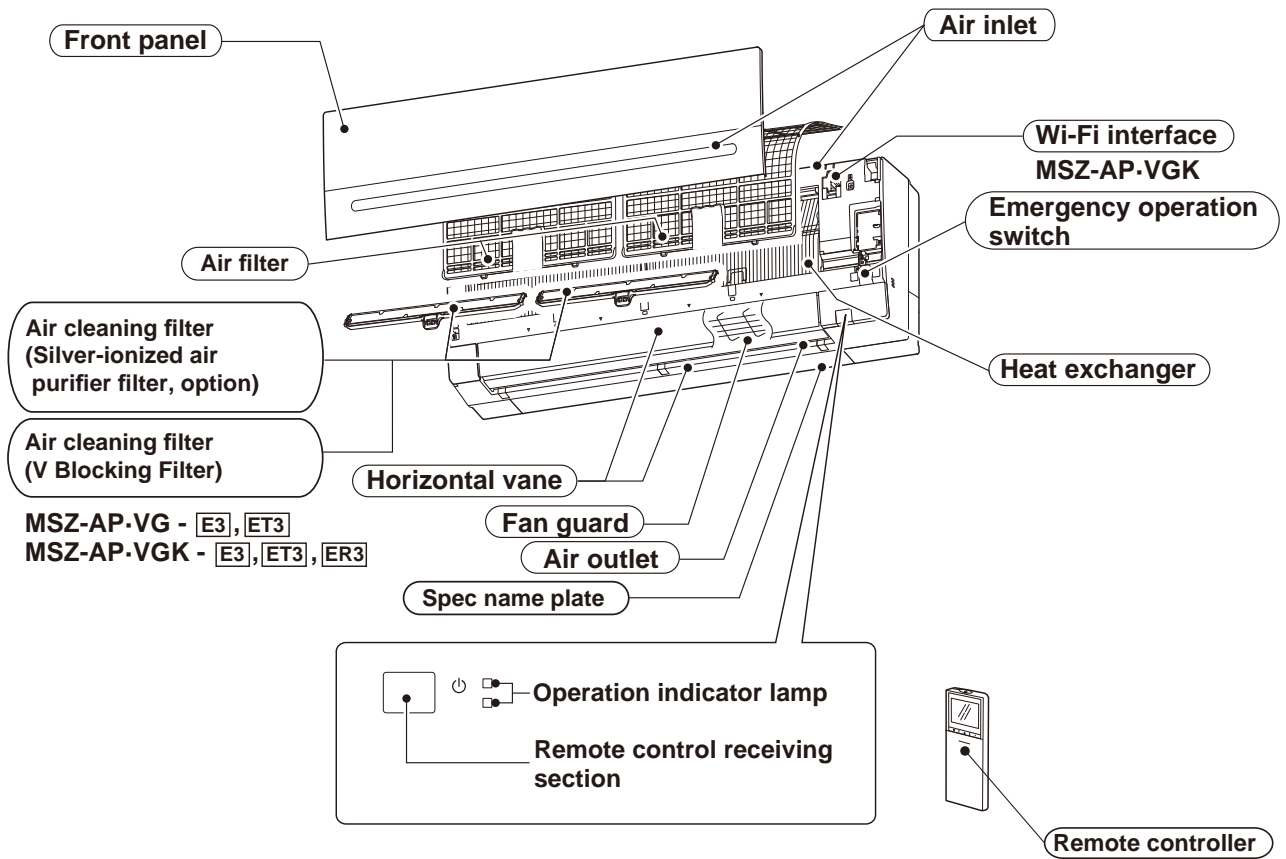
MSZ-AP25VG MSZ-AP35VG MSZ-AP42VG MSZ-AP50VG
 MSZ-AP25VGK MSZ-AP35VGK MSZ-AP42VGK MSZ-AP50VGK



ACCESSORIES

Model	MSZ-AP25VG - [E1], [EN1], [ET1], [ER1], [E2], [EN2], [ET2]	MSZ-AP35VG - [E1], [EN1], [ET1], [ER1], [E2], [EN2], [ET2]	MSZ-AP42VG - [E1], [EN1], [ET1], [ER1], [E2], [EN2], [ET2]	MSZ-AP50VG - [E1], [EN1], [ET1], [ER1], [E2], [EN2], [ET2]	MSZ-AP25VGK - [E1], [EN1], [ET1], [ER1], [E2], [EN2], [ET2], [ER2]	MSZ-AP35VGK - [E1], [EN1], [ET1], [ER1], [E2], [EN2], [ET2], [ER2]	MSZ-AP42VGK - [E1], [EN1], [ET1], [ER1], [E2], [EN2], [ET2], [ER2]	MSZ-AP50VGK - [E1], [EN1], [ET1], [ER1], [E2], [EN2], [ET2], [ER2]	MSZ-AP25VG - [E3], [ET3]	MSZ-AP35VG - [E3], [ET3]	MSZ-AP42VG - [E3], [ET3]	MSZ-AP50VG - [E3], [ET3]	MSZ-AP25VGK - [E3], [EN3], [ET3], [ER3]	MSZ-AP35VGK - [E3], [EN3], [ET3], [ER3]	MSZ-AP42VGK - [E3], [EN3], [ET3], [ER3]	MSZ-AP50VGK - [E3], [EN3], [ET3], [ER3]
(1) Installation plate	1	1	1	1	1	1	1	1	1	1	1	1	1	1	1	1
(2) Installation plate fixing screw 4 × 25 mm	5	5	5	5	5	5	5	5	5	5	5	5	5	5	5	5
(3) Wireless remote controller	1	1	1	1	1	1	1	1	1	1	1	1	1	1	1	1
(4) Felt tape (For left or left-rear piping)	1	1	1	1	1	1	1	1	1	1	1	1	1	1	1	1
(5) Battery (AAA) for remote controller	2	2	2	2	2	2	2	2	2	2	2	2	2	2	2	2
(6) Air cleaning filter	-	-	-	-	-	-	-	-	2	2	2	2	2	2	2	2

MSZ-AP60VG MSZ-AP71VG
 MSZ-AP60VGK MSZ-AP71VGK



ACCESSORIES

Model	MSZ-AP60VG - E1, EN1, ET1, ER1, E2, EN2, ET2	MSZ-AP60VG - E3, ET3
(1) Installation plate	1	1
(2) Installation plate fixing screw 4 x 25 mm	7	7
(3) Wireless remote controller	1	1
(4) Felt tape (For left or left-rear piping)	1	1
(5) Battery (AAA) for remote controller	2	2
(6) Air cleaning filter	-	2

3

SPECIFICATION

Indoor model			MSZ-AP25VG MSZ-AP25VGK	MSZ-AP35VG MSZ-AP35VGK	MSZ-AP42VG MSZ-AP42VGK	MSZ-AP50VG MSZ-AP50VGK	
Power supply			Single phase 230 V, 50 Hz				
Electrical data	Power input *1	Cooling	W		19	24	
		Heating			26	32	
	Running current *1	Cooling	A		0.18	0.24	
		Heating			0.26	0.32	
Fan motor	Model		RC0J30-CV				
	Current *1	Cooling	A		0.18	0.24	
		Heating			0.26	0.32	
Dimensions W x H x D			mm 798 x 299 x 219				
Weight			kg 10.5				
Special remarks	Air direction		5				
	Airflow	Cooling	Super High	m ³ /h		684	756
			High			522	600
			Med.			426	504
			Low			354	432
			Silent			294	360
		Heating	Super High	m ³ /h		774	840
			High			534	600
			Med.			438	492
			Low			354	390
			Silent			294	336
	Sound level	Cooling	Super High	dB(A)		42	44
			High			36	40
			Med.			30	36
			Low			24	33
			Silent			19	28
		Heating	Super High	dB(A)		45	48
			High			39	43
			Med.			34	38
			Low			24	33
			Silent			19	28
	Fan speed	Cooling	Super High	rpm		970	1,050
			High			790	880
			Med.			670	770
			Low			580	680
			Silent			500	590
		Heating	Super High	rpm		1,070	1,140
			High			800	880
Med.					690	750	
Low					580	630	
Silent					500	560	
Fan speed regulator			5				
Remote controller model	E1, EN1, ET1, ER1		SG17B				
	E2, EN2, ET2, ER2		SH20A				
	E3, ET3						

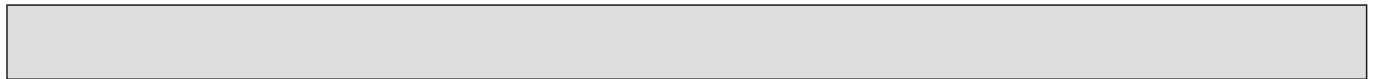
NOTE: Test conditions are based on ISO 5151.

Cooling: Indoor Dry-bulb temperature 27°C Wet-bulb temperature 19°C
 Outdoor Dry-bulb temperature 35°C Wet-bulb temperature 24°C
 Heating: Indoor Dry-bulb temperature 20°C
 Outdoor Dry-bulb temperature 7°C Wet-bulb temperature 6°C

*1 Measured under rated operating frequency.

Specifications and rated conditions of main electric parts

Fuse	(F11)	T3.15AL250V
Horizontal vane motor	(MV1, MV2)	12 V DC
Vertical vane motor	(MV3)	
Varistor	(NR11)	470 V
Terminal block	(TB)	3P



Indoor model				MSZ-AP60VG MSZ-AP60VGK	MSZ-AP71VG MSZ-AP71VGK	
Power supply				Single phase 230 V, 50 Hz		
Electrical data	Power input *1	Cooling	W	41	42	
		Heating		49	45	
	Running current *1	Cooling	A	0.37	0.38	
		Heating		0.43	0.40	
Fan motor	Model			RC0J56-AH		
	Current *1	Cooling	A	0.37	0.38	
		Heating		0.43	0.40	
Dimensions W x H x D			mm 1100 x 325 x 257			
Weight			kg 16 17			
Special remarks	Air direction			5		
	Airflow	Cooling	Super High	m³/h	1,134	1,116
			High		960	918
			Med.		792	
			Low		660	690
			Quiet		564	576
		Heating	Super High	m³/h	1,218	1,152
			High		1,044	918
			Med.		924	792
			Low		804	690
			Quiet		648	612
	Sound level	Cooling	Super High	dB(A)	48	49
			High		45	
			Med.		41	
			Low		37	
			Quiet		29	30
		Heating	Super High	dB(A)	48	51
			High		45	
			Med.		41	
			Low		37	
			Quiet		30	
	Fan speed	Cooling	Super High	rpm	1,100	1,140
			High		960	970
			Med.		820	860
			Low		710	770
			Quiet		630	670
		Heating	Super High	rpm	1,170	
			High		1,030	970
Med.			930		860	
Low			830		770	
Quiet			700			
Fan speed regulator			5			
Remote controller model	E1, EN1, ET1, ER1			SG18D		
	E2, EN2, ET2, ER2			SH20C		
	E3, EN3, ET3, ER3					

NOTE: Test conditions are based on ISO 5151.

Cooling: Indoor Dry-bulb temperature 27°C Wet-bulb temperature 19°C

Outdoor Dry-bulb temperature 35°C Wet-bulb temperature 24°C

Heating: Indoor Dry-bulb temperature 20°C

Outdoor Dry-bulb temperature 7°C Wet-bulb temperature 6°C

*1 Measured under rated operating frequency.

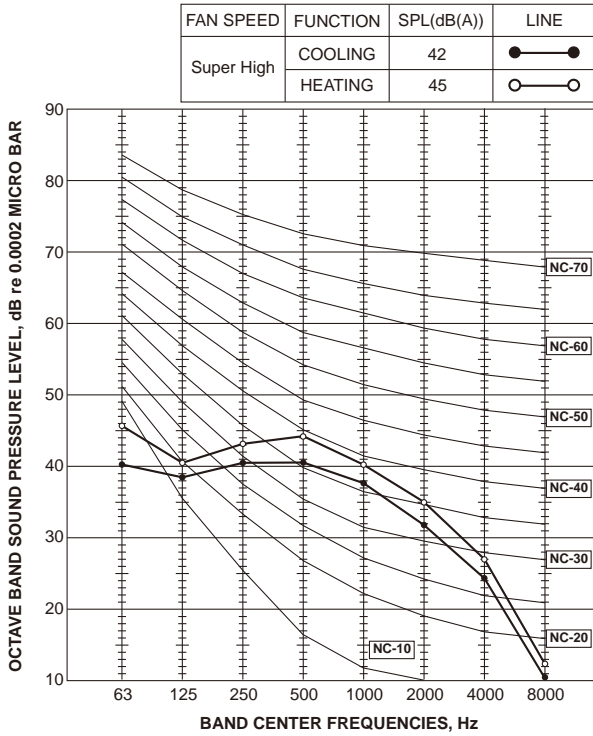
Specifications and rated conditions of main electric parts

Fuse	(F11)	T3.15AL250V
Horizontal vane motor	(MV1)	12 V DC
Vertical vane motor	(MV2)	
Varistor	(NR11)	470 V
Terminal block	(TB)	3P

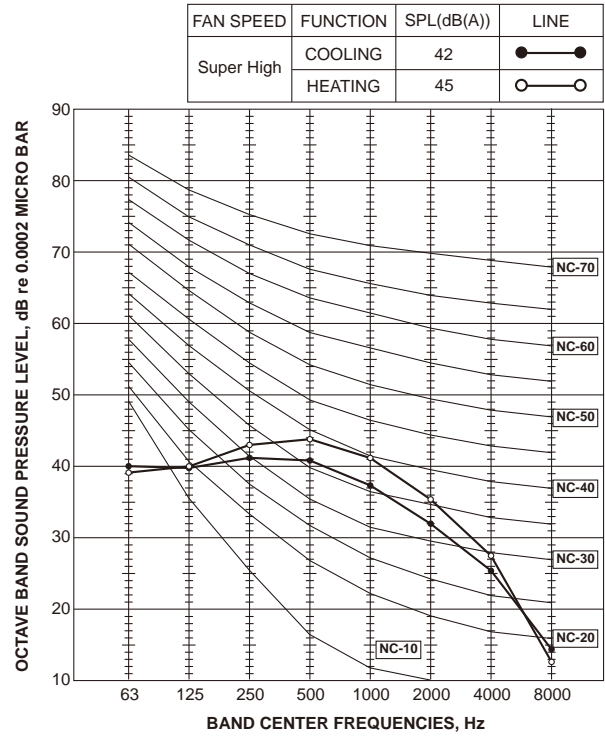
4

NOISE CRITERIA CURVES

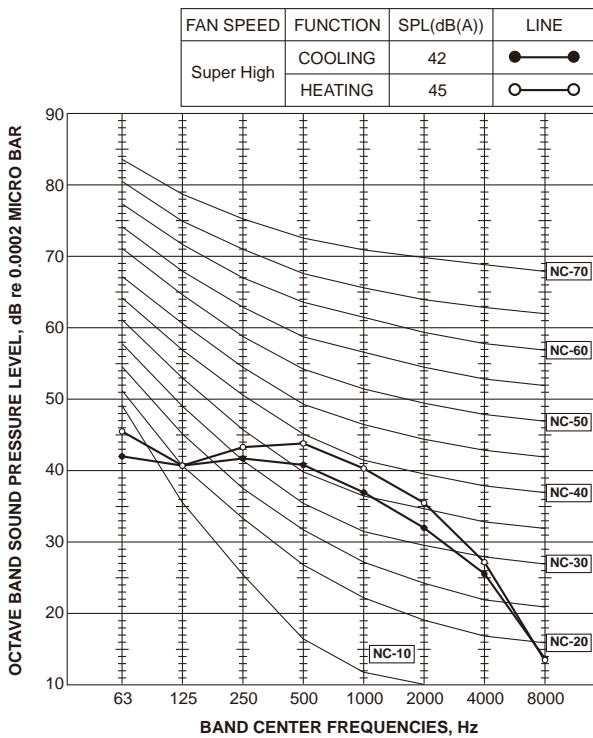
MSZ-AP25VG MSZ-AP25VGK



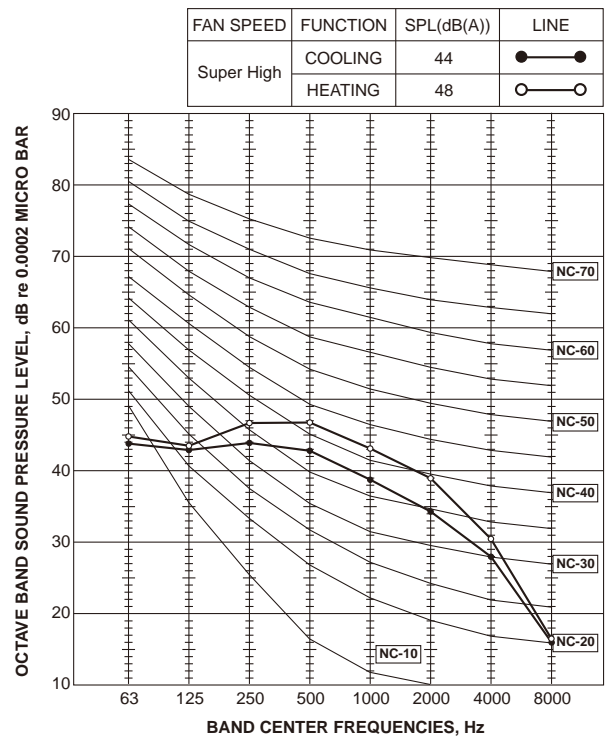
MSZ-AP35VG MSZ-AP35VGK



MSZ-AP42VG MSZ-AP42VGK

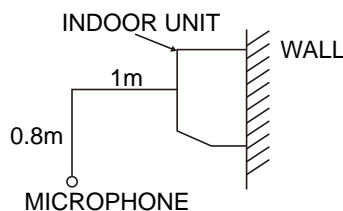


MSZ-AP50VG MSZ-AP50VGK



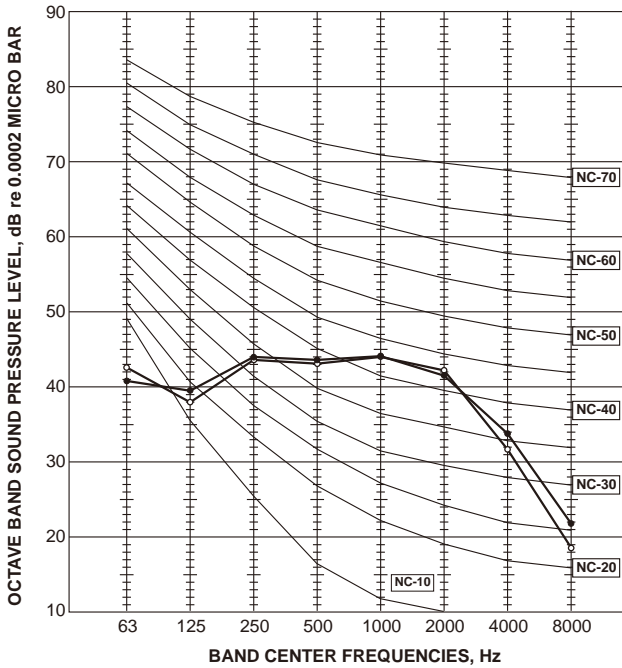
Test conditions

- Cooling: Dry-bulb temperature 27°C
- Wet-bulb temperature 19°C
- Heating: Dry-bulb temperature 20°C



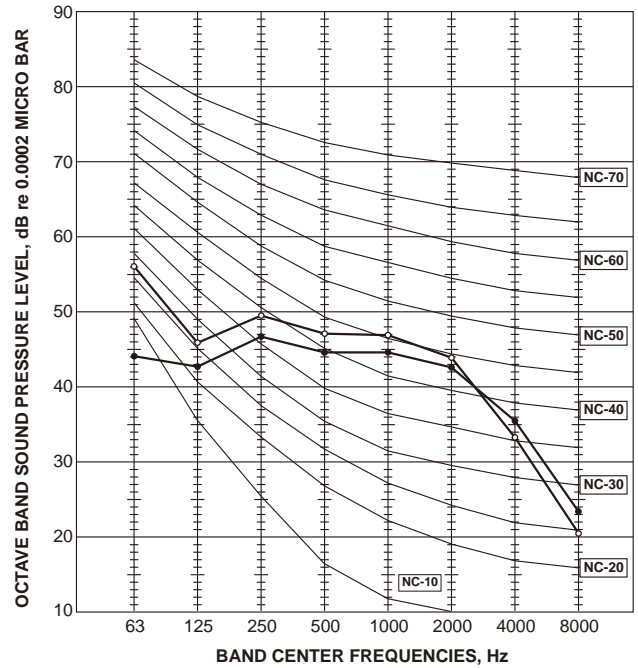
MSZ-AP60VG
MSZ-AP60VGK

FAN SPEED	FUNCTION	SPL(dB(A))	LINE
Super High	COOLING	48	●—●
	HEATING	48	○—○



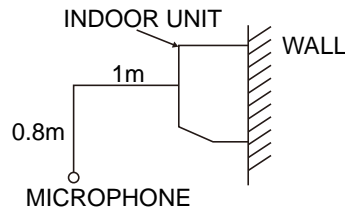
MSZ-AP71VG
MSZ-AP71VGK

FAN SPEED	FUNCTION	SPL(dB(A))	LINE
Super High	COOLING	49	●—●
	HEATING	51	○—○



Test conditions

Cooling: Dry-bulb temperature 27°C
Wet-bulb temperature 19°C
Heating: Dry-bulb temperature 20°C

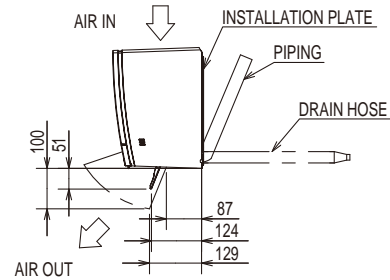
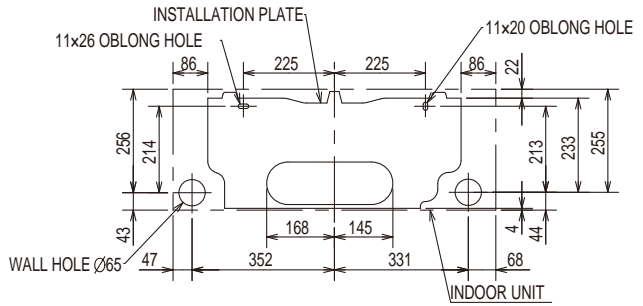
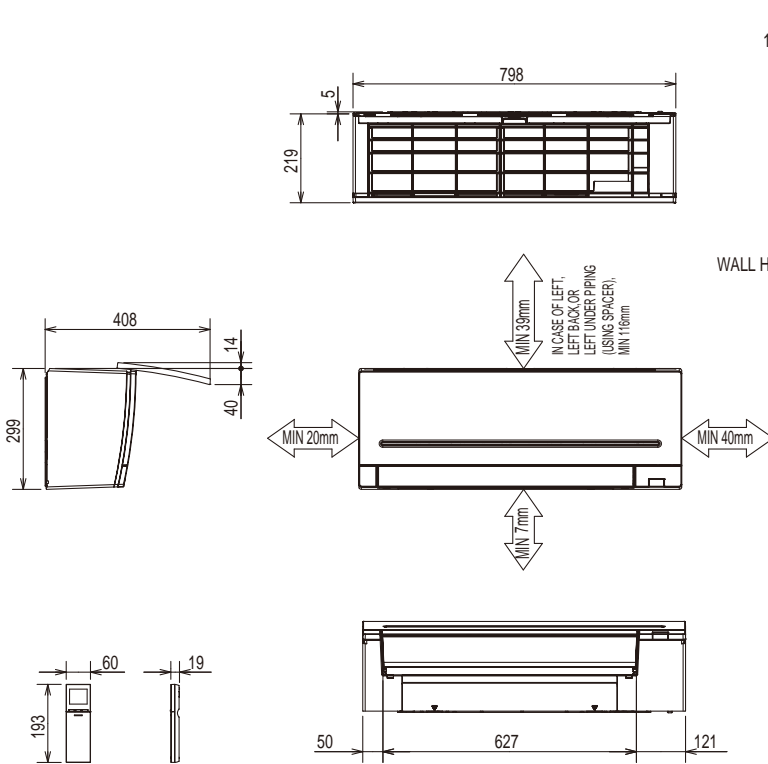


5

OUTLINES AND DIMENSIONS

MSZ-AP25VG MSZ-AP35VG MSZ-AP42VG MSZ-AP50VG
MSZ-AP25VGK MSZ-AP35VGK MSZ-AP42VGK MSZ-AP50VGK

Unit: mm



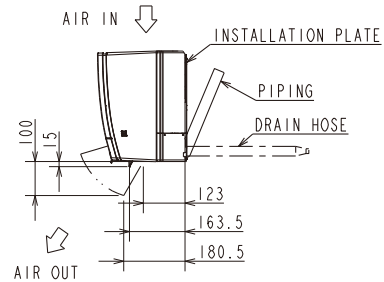
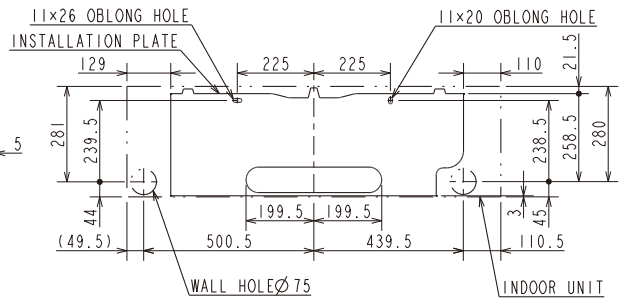
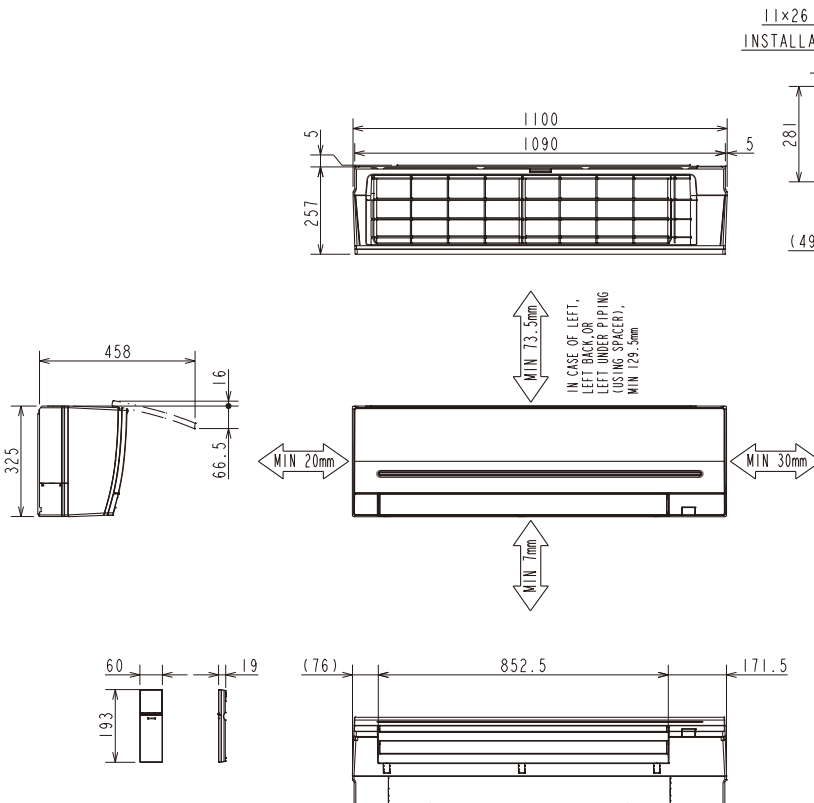
(MSZ-AP25/35/42/50VG- [E1] [ET1] [ER1] [E2] [ET2] [E3] [ET3] MSZ-AP25/35/42/50VGK- [E1] [ET1] [ER1] [E2] [ET2] [ER2] [E3] [ET3] [ER3])

PIPING	INSULATION	Ø37 O.D
	LIQUID LINE	Ø6.35 - 0.39m (FLARED CONNECTION Ø6.35)
	GAS LINE	Ø9.52 - 0.34m (FLARED CONNECTION Ø9.52)
	DRAIN HOSE	INSULATION Ø29 CONNECTED PART Ø16 O.D

(MSZ-AP25/35/42/50VG- [EN1] [EN2] MSZ-AP25/35/42/50VGK- [EN1] [EN2] [EN3])

PIPING	INSULATION	Ø37 O.D
	LIQUID LINE	Ø6.35 - 0.5m (FLARED CONNECTION Ø6.35)
	GAS LINE	Ø9.52 - 0.45m (FLARED CONNECTION Ø9.52)
	DRAIN HOSE	INSULATION Ø29 CONNECTED PART Ø16 O.D

MSZ-AP60VG MSZ-AP71VG
MSZ-AP60VGK MSZ-AP71VGK

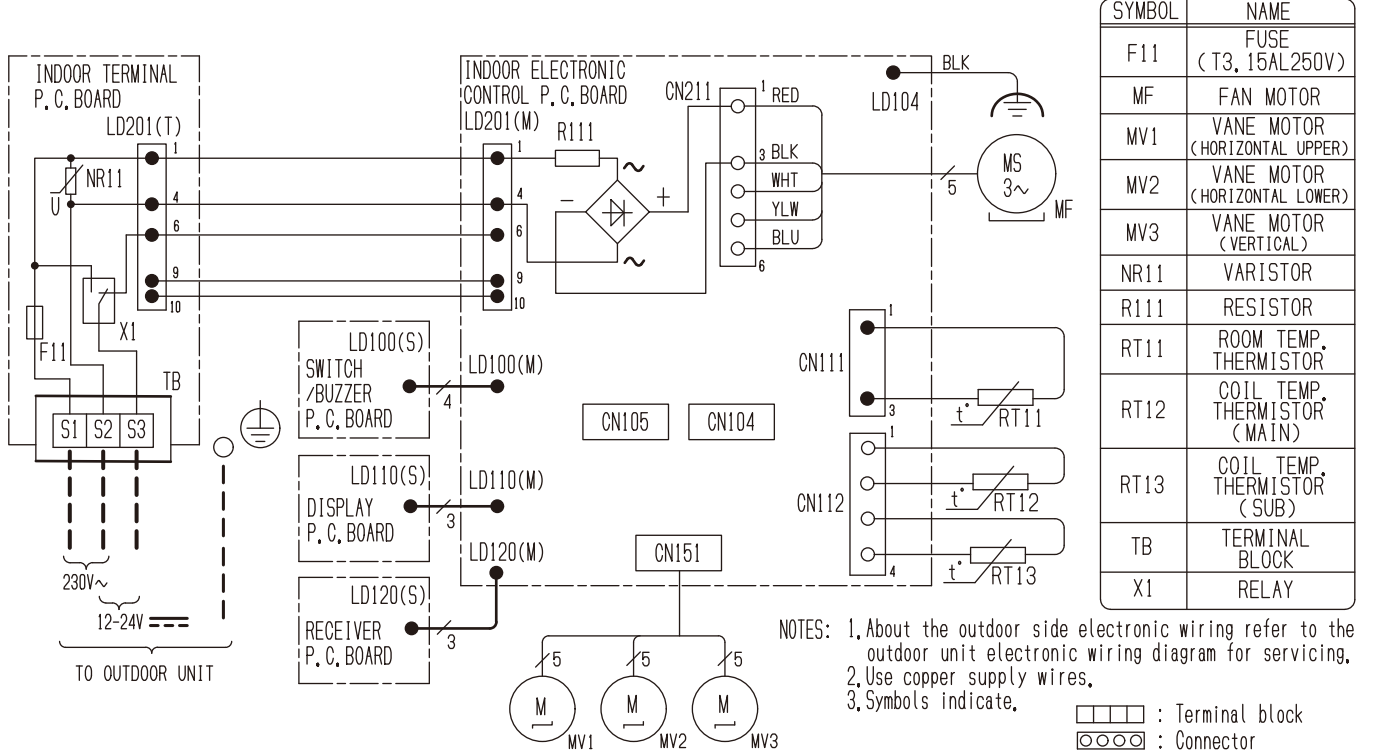


PIPING	INSULATION	Ø50 O.D
	LIQUID LINE	Ø9.52 - 0.5m (FLARED CONNECTION Ø6.35)
	GAS LINE	Ø12 - 0.45m (FLARED CONNECTION Ø12.7)
	DRAIN HOSE	INSULATION Ø29 CONNECTED PART Ø16 O.D

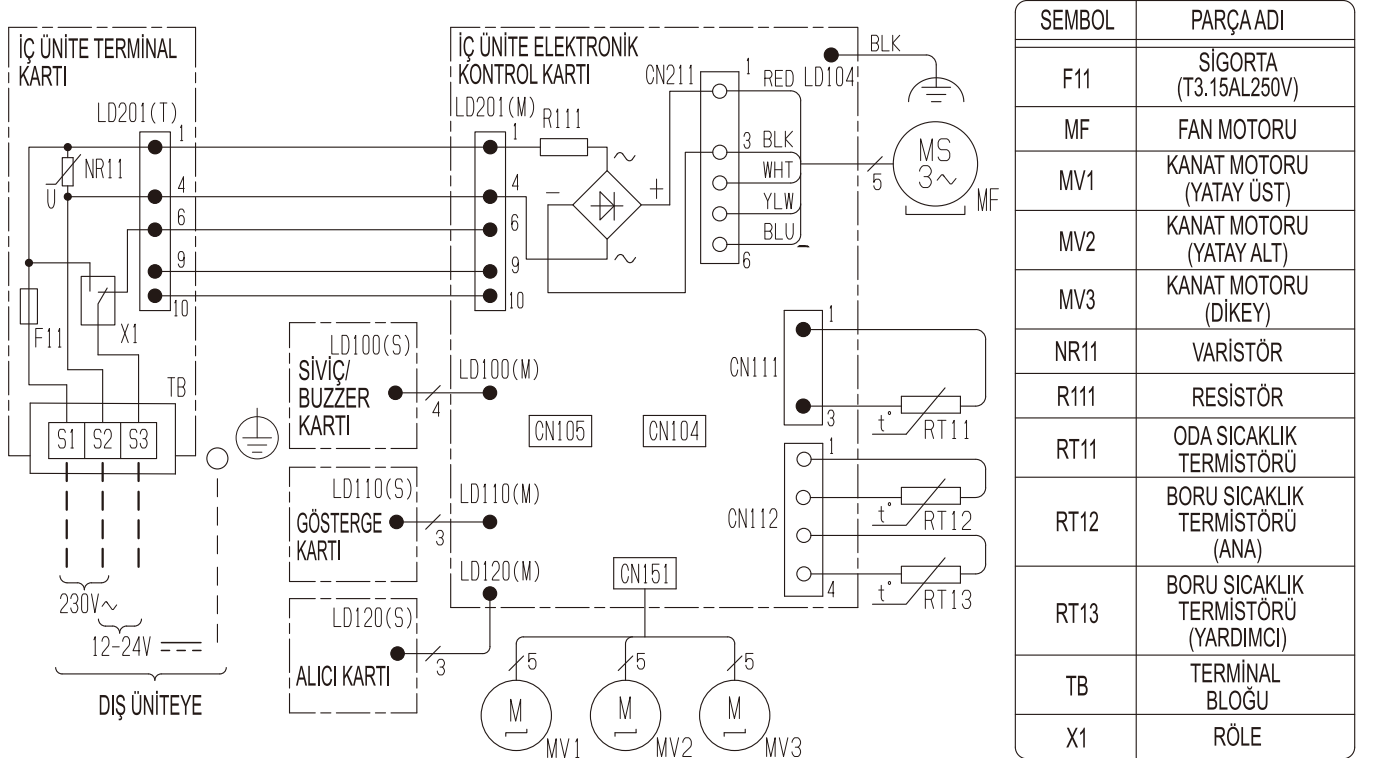
6

WIRING DIAGRAM

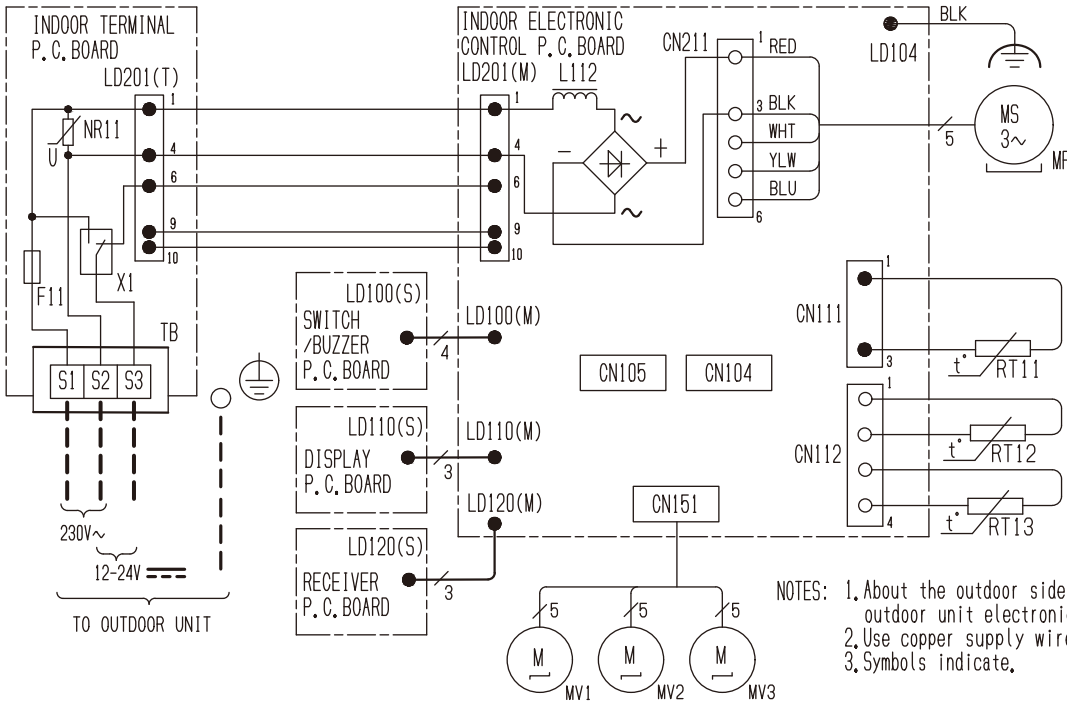
MSZ-AP25VG - E1, EN1, ER1, E2, EN2, E3 MSZ-AP35VG - E1, EN1, ER1, E2, EN2, E3
MSZ-AP42VG - E1, EN1, ER1, E2, EN2, E3



MSZ-AP25VG - ET1, ET2, ET3 MSZ-AP35VG - ET1, ET2, ET3 MSZ-AP42VG - ET1, ET2, ET3



MSZ-AP50VG - [E1], [EN1], [ER1], [E2], [EN2], [E3]

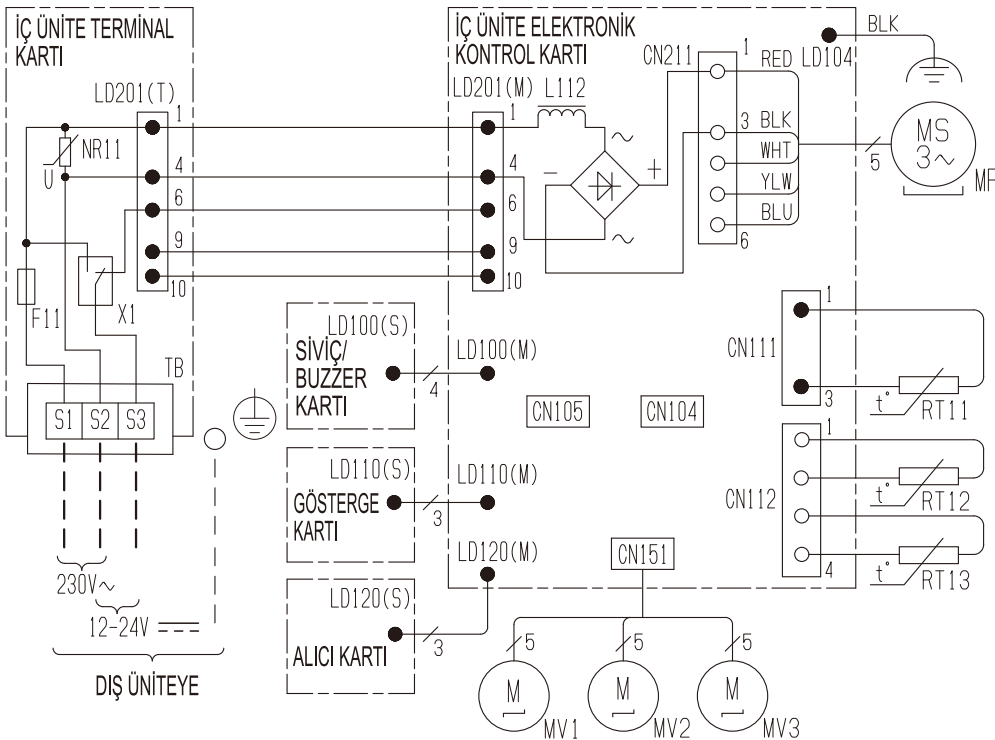


SYMBOL	NAME
F11	FUSE (T3, 15AL250V)
MF	FAN MOTOR
MV1	VANE MOTOR (HORIZONTAL UPPER)
MV2	VANE MOTOR (HORIZONTAL LOWER)
MV3	VANE MOTOR (VERTICAL)
NR11	VARISTOR
L112	REACTOR
RT11	ROOM TEMP. THERMISTOR
RT12	COIL TEMP. THERMISTOR (MAIN)
RT13	COIL TEMP. THERMISTOR (SUB)
TB	TERMINAL BLOCK
X1	RELAY

NOTES: 1. About the outdoor side electronic wiring refer to the outdoor unit electronic wiring diagram for servicing.
 2. Use copper supply wires.
 3. Symbols indicate.

□ □ □ □ : Terminal block
 ○ ○ ○ ○ : Connector

MSZ-AP50VG - [ET1], [ET2], [ET3]

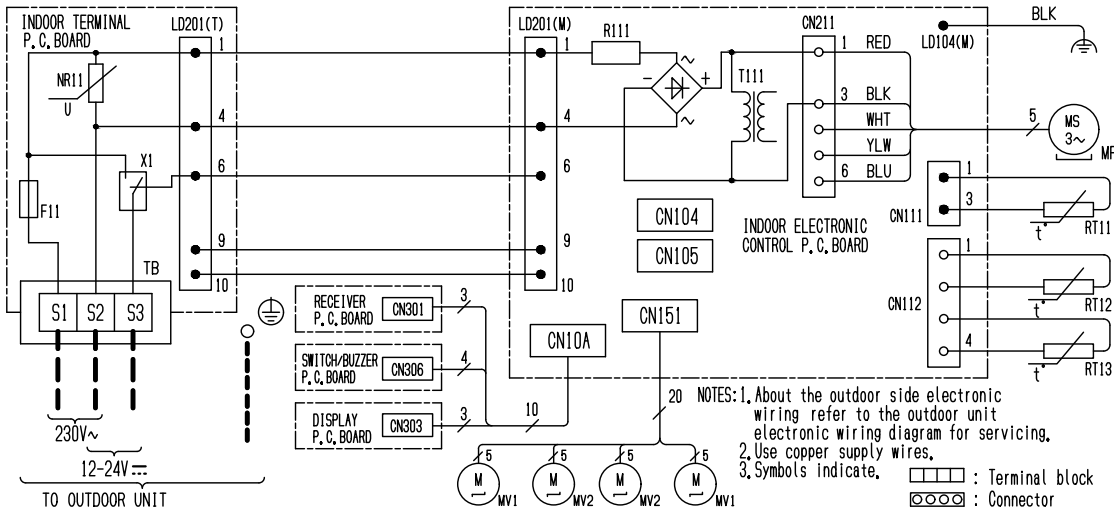


SEMBOL	PARÇA ADI
F11	SİGORTA (T3.15AL250V)
MF	FAN MOTORU
MV1	KANAT MOTORU (YATAY ÜST)
MV2	KANAT MOTORU (YATAY ALT)
MV3	KANAT MOTORU (DİKEY)
NR11	VARIŞTÖR
L112	REAKTÖR
RT11	ODA SICAKLIK TERMİSTÖRÜ
RT12	BORU SICAKLIK TERMİSTÖRÜ (ANA)
RT13	BORU SICAKLIK TERMİSTÖRÜ (YARDIMCI)
TB	TERMINAL BLOĞU
X1	RÖLE

NOTLAR : 1. Dış ünite elektronik kabloları için dış ünite elektronik kablo devre şemasını referans alınız.
 2. Sadece bakır besleme kablosu kullanınız
 3. Sembollerini gösterir

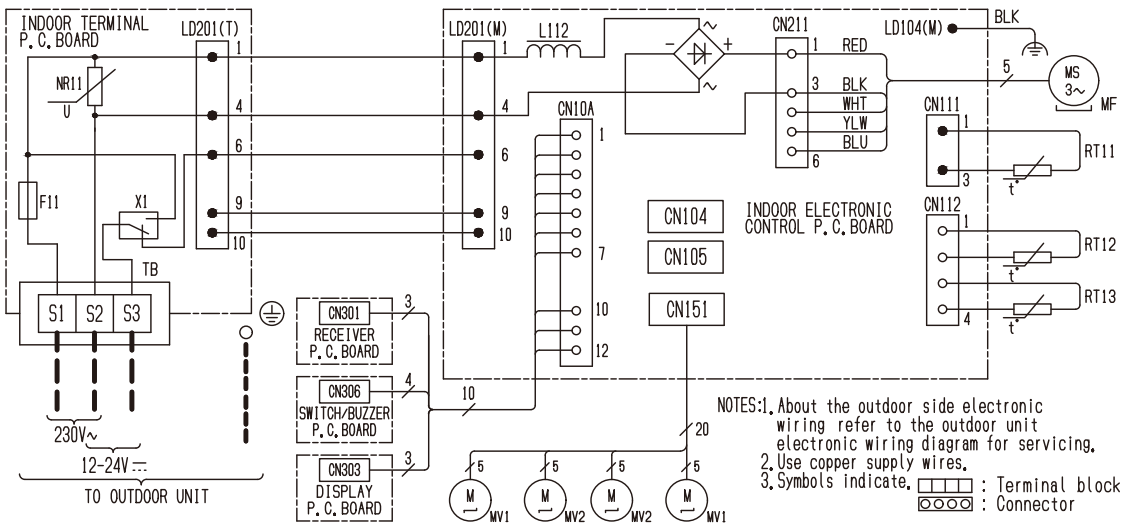
□ □ □ □ : Terminal bloğu
 ○ ○ ○ ○ : Konektör

MSZ-AP60VG - E1, ER1, E2 **MSZ-AP71VG - E1, ER1, E2**



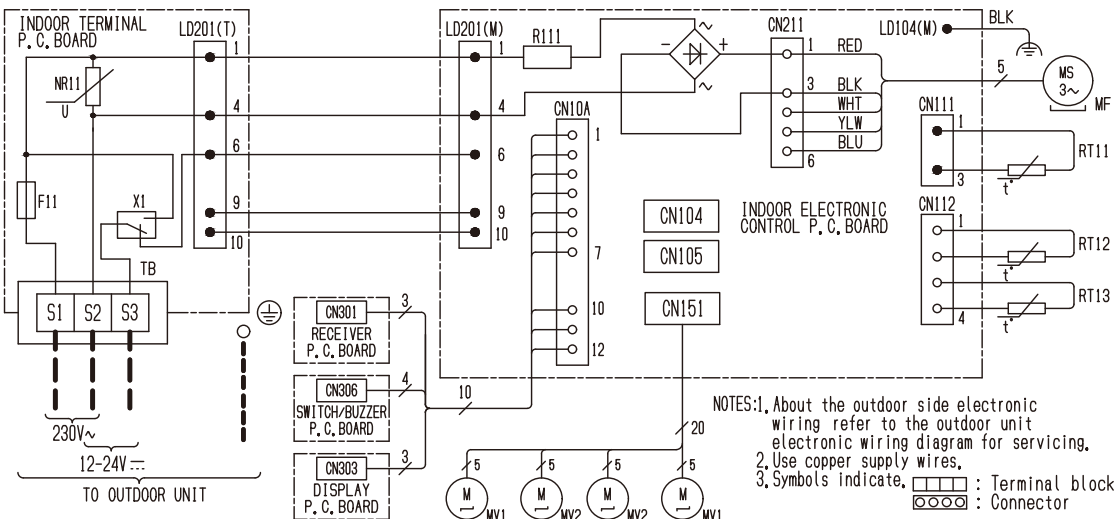
SYMBOL	NAME
F11	FUSE (T3, 15A/250V)
MF	FAN MOTOR
MV1	VANE MOTOR (HORIZONTAL)
MV2	VANE MOTOR (VERTICAL)
NR11	VARISTOR
R111	RESISTOR
RT11	ROOM TEMP. THERMISTOR
RT12	COIL TEMP. THERMISTOR (MAIN)
RT13	COIL TEMP. THERMISTOR (SUB)
T111	TRANSFORMER
TB	TERMINAL BLOCK
X1	RELAY

MSZ-AP60VG - E3



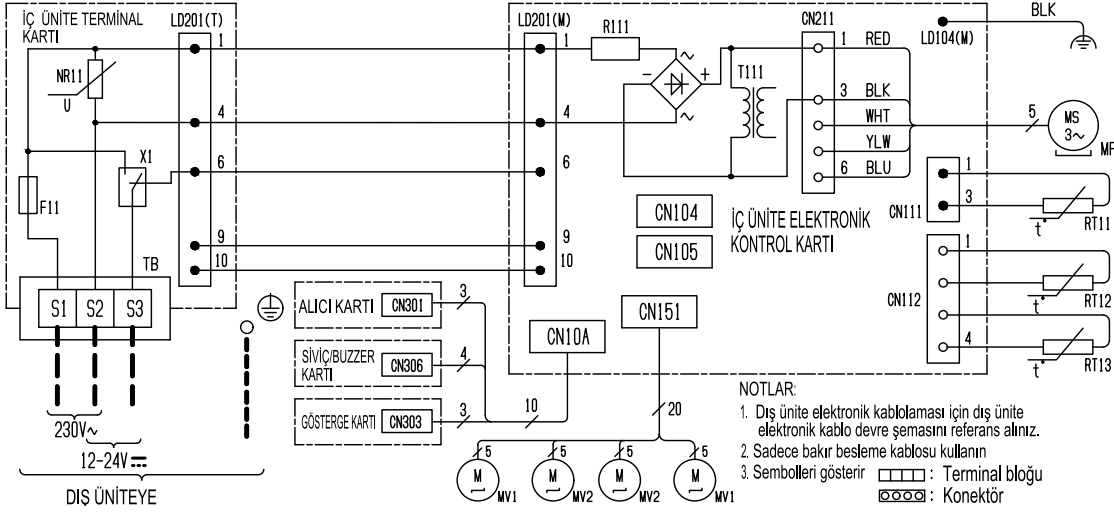
SYMBOL	NAME
F11	FUSE (T3, 15A/250V)
L112	REACTOR
MF	FAN MOTOR
MV1	VANE MOTOR (HORIZONTAL)
MV2	VANE MOTOR (VERTICAL)
NR11	VARISTOR
RT11	ROOM TEMP. THERMISTOR
RT12	COIL TEMP. THERMISTOR (MAIN)
RT13	COIL TEMP. THERMISTOR (SUB)
TB	TERMINAL BLOCK
X1	RELAY

MSZ-AP71VG - E3



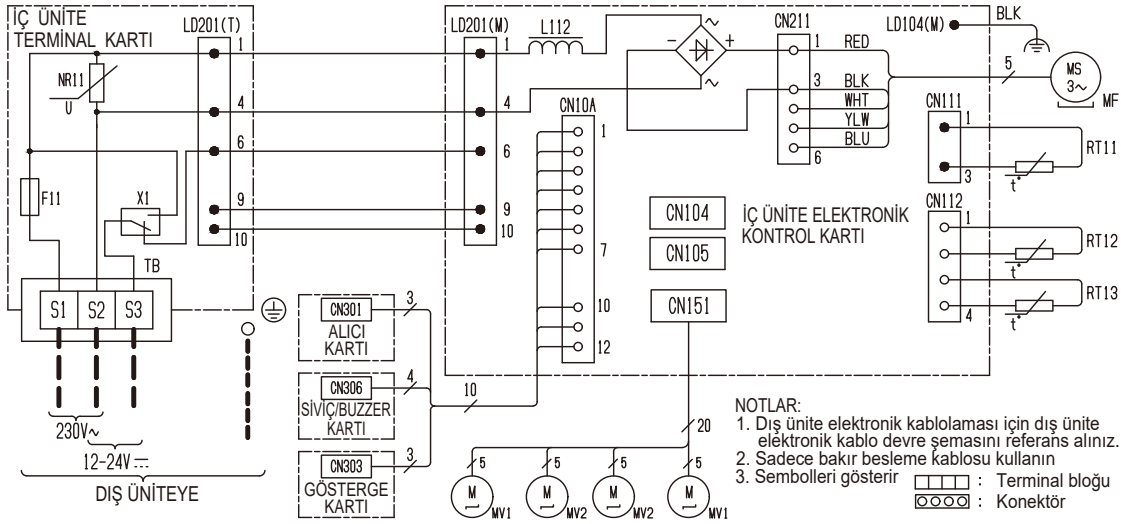
SYMBOL	NAME
F11	FUSE (T3, 15A/250V)
MF	FAN MOTOR
MV1	VANE MOTOR (HORIZONTAL)
MV2	VANE MOTOR (VERTICAL)
NR11	VARISTOR
R111	RESISTOR
RT11	ROOM TEMP. THERMISTOR
RT12	COIL TEMP. THERMISTOR (MAIN)
RT13	COIL TEMP. THERMISTOR (SUB)
TB	TERMINAL BLOCK
X1	RELAY

MSZ-AP60VG - ET1, ET2 MSZ-AP71VG - ET1, ET2



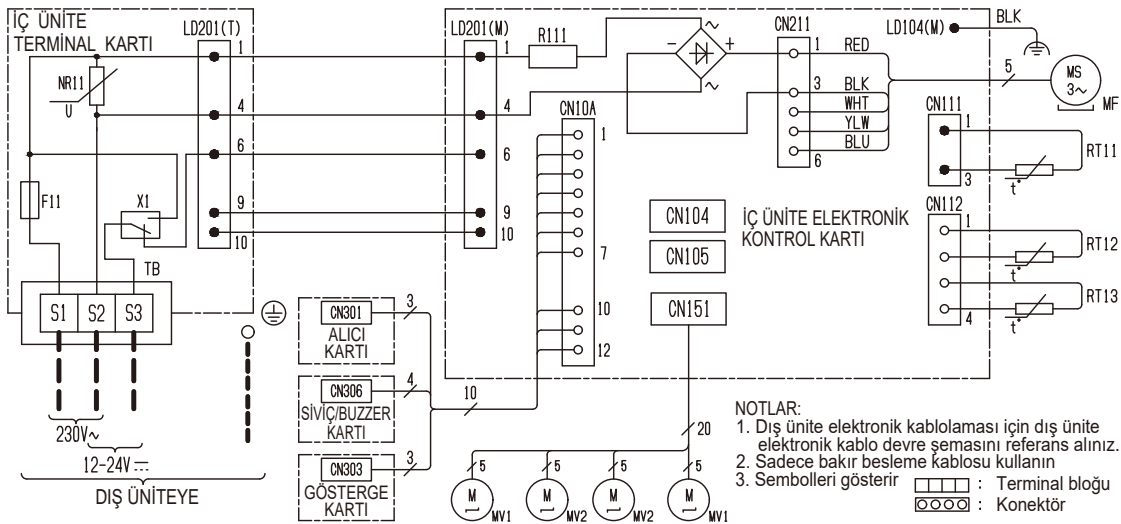
SEMBOL	PARÇA ADI
F11	SİĞORTA (T3.15AL250V)
MF	FAN MOTORU
MV1	KANAT MOTORU (YATAY)
MV2	KANAT MOTORU (DİKEY)
NR11	VARİSTÖR
R111	RESİSTÖR
RT11	ODA SICAKLIK TERMİSTÖRÜ
RT12	BORU SICAKLIK TERMİSTÖRÜ(ANA)
RT13	BORU SICAKLIK TERMİSTÖRÜ(YARDIMCI)
T111	TRAFO
TB	TERMINAL BLOĞU
X1	RÖLE

MSZ-AP60VG - ET3



SEMBOL	PARÇA ADI
F11	SİĞORTA (T3.15AL250V)
L112	REAKTÖR
MF	FAN MOTORU
MV1	KANAT MOTORU (YATAY)
MV2	KANAT MOTORU (DİKEY)
NR11	VARİSTÖR
RT11	ODA SICAKLIK TERMİSTÖRÜ
RT12	BORU SICAKLIK TERMİSTÖRÜ(ANA)
RT13	BORU SICAKLIK TERMİSTÖRÜ(YARDIMCI)
TB	TERMINAL BLOĞU
X1	RÖLE

MSZ-AP71VG - ET3

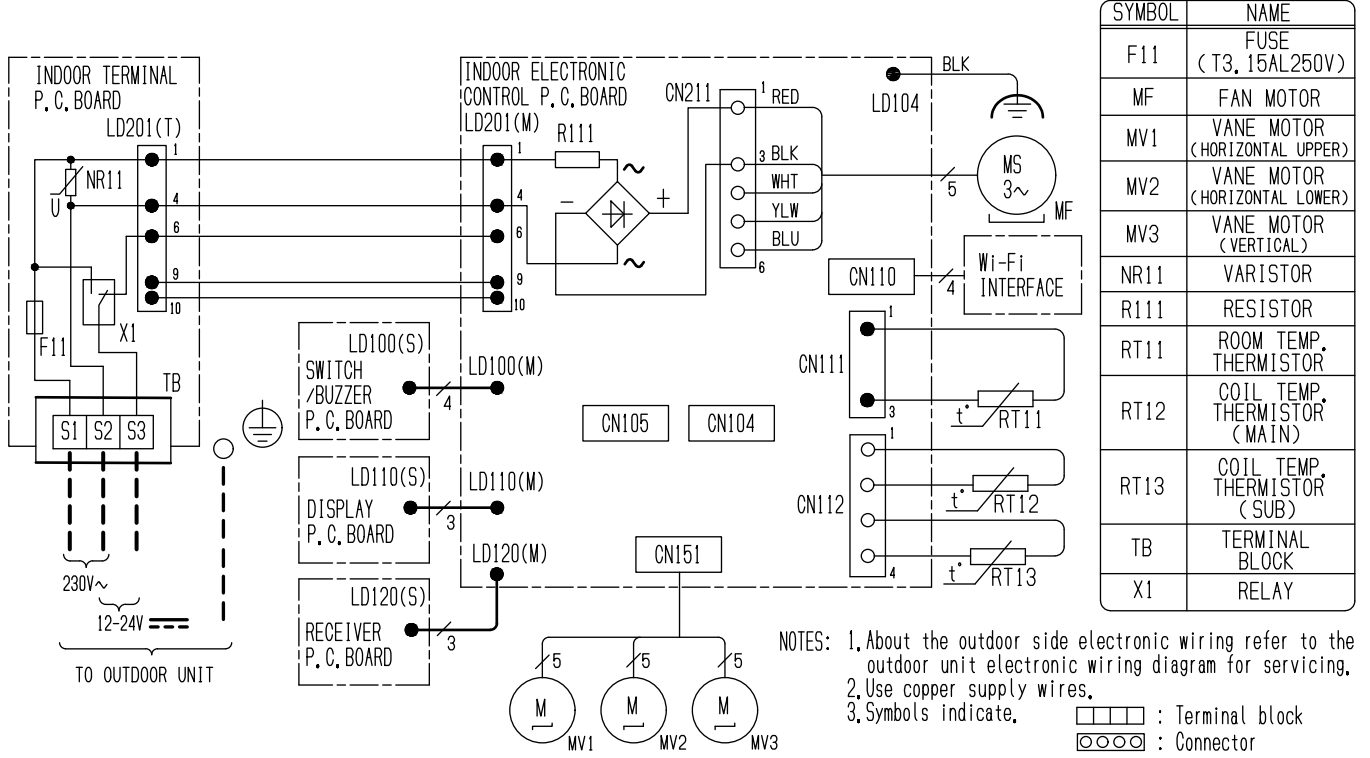


SEMBOL	PARÇA ADI
F11	SİĞORTA (T3.15AL250V)
MF	FAN MOTORU
MV1	KANAT MOTORU (YATAY)
MV2	KANAT MOTORU (DİKEY)
NR11	VARİSTÖR
R111	RESİSTÖR
RT11	ODA SICAKLIK TERMİSTÖRÜ
RT12	BORU SICAKLIK TERMİSTÖRÜ(ANA)
RT13	BORU SICAKLIK TERMİSTÖRÜ(YARDIMCI)
TB	TERMINAL BLOĞU
X1	RÖLE

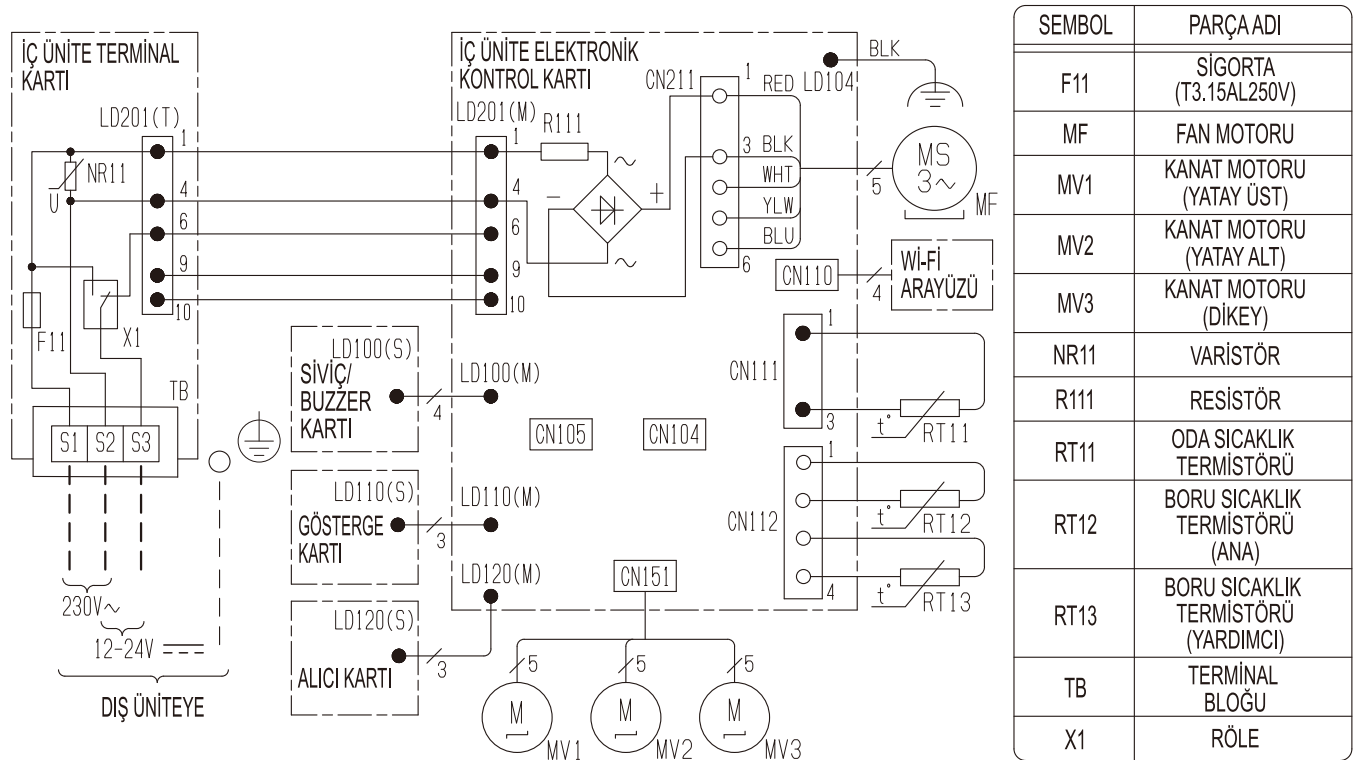
MSZ-AP25VGK - E1, EN1, ER1, E2, EN2, ER2, E3, EN3, ER3

MSZ-AP35VGK - E1, EN1, ER1, E2, EN2, ER2, E3, EN3, ER3

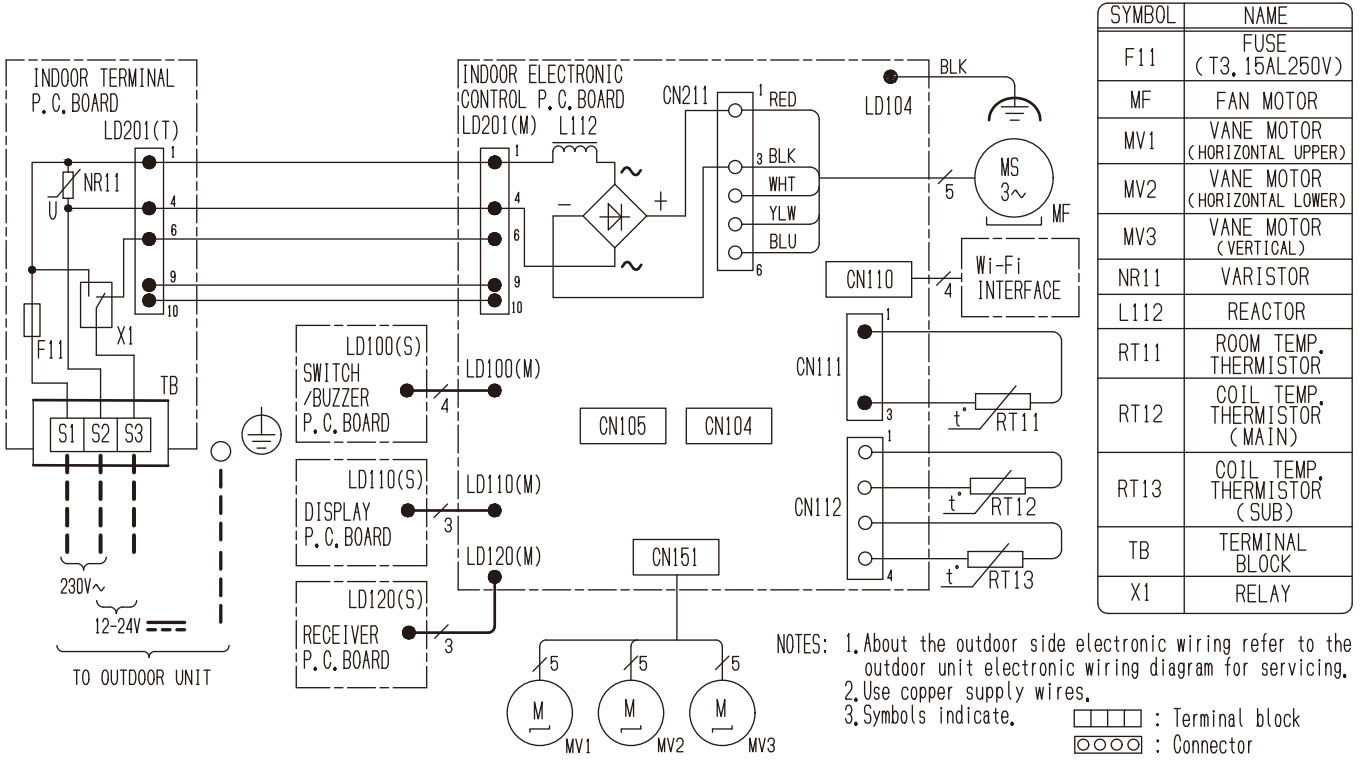
MSZ-AP42VGK - E1, EN1, ER1, E2, EN2, ER2, E3, EN3, ER3



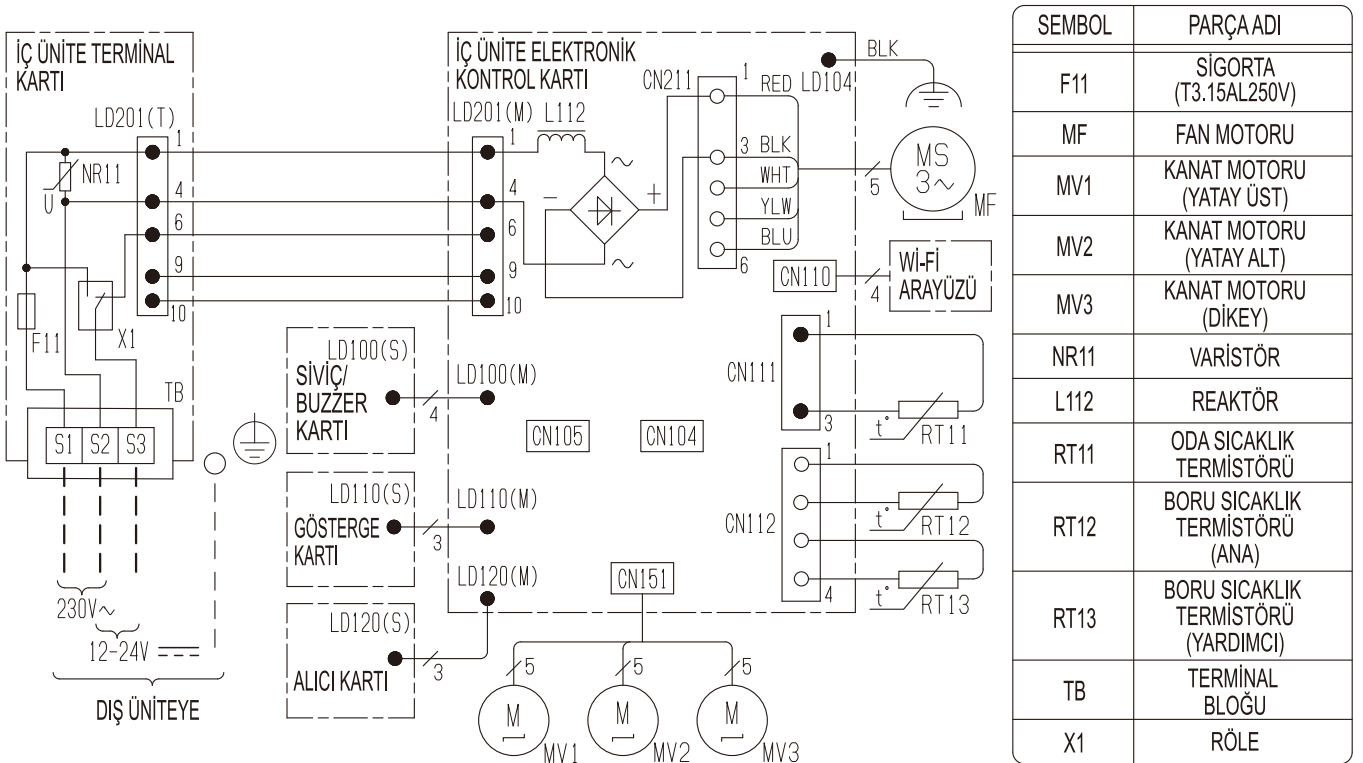
MSZ-AP25VGK - ET1, ET2, ET3 MSZ-AP35VGK - ET1, ET2, ET3 MSZ-AP42VGK - ET1, ET2, ET3



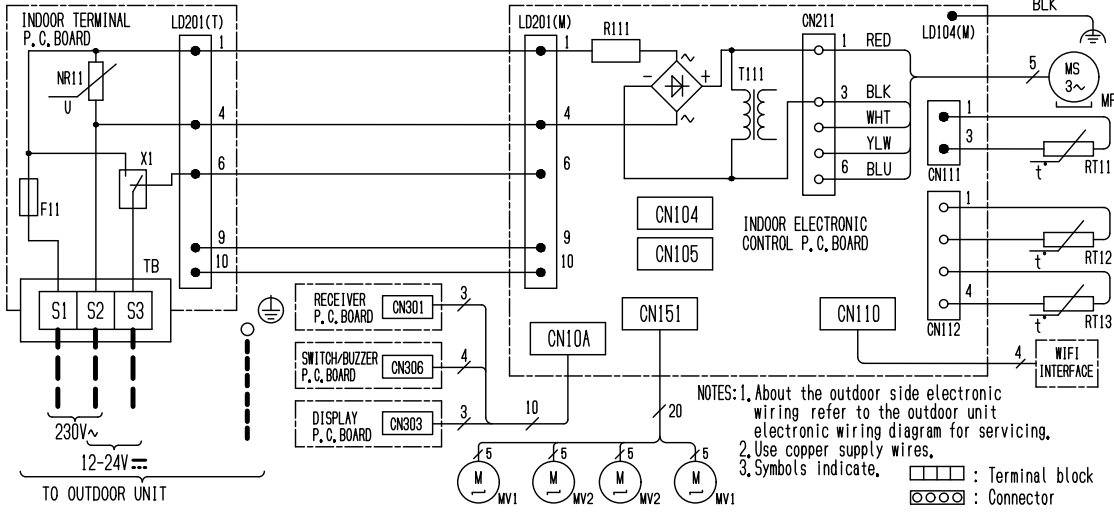
MSZ-AP50VGK - E1, EN1, ER1, E2, EN2, ER2, E3, EN3, ER3



MSZ-AP50VGK - ET1, ET2, ET3

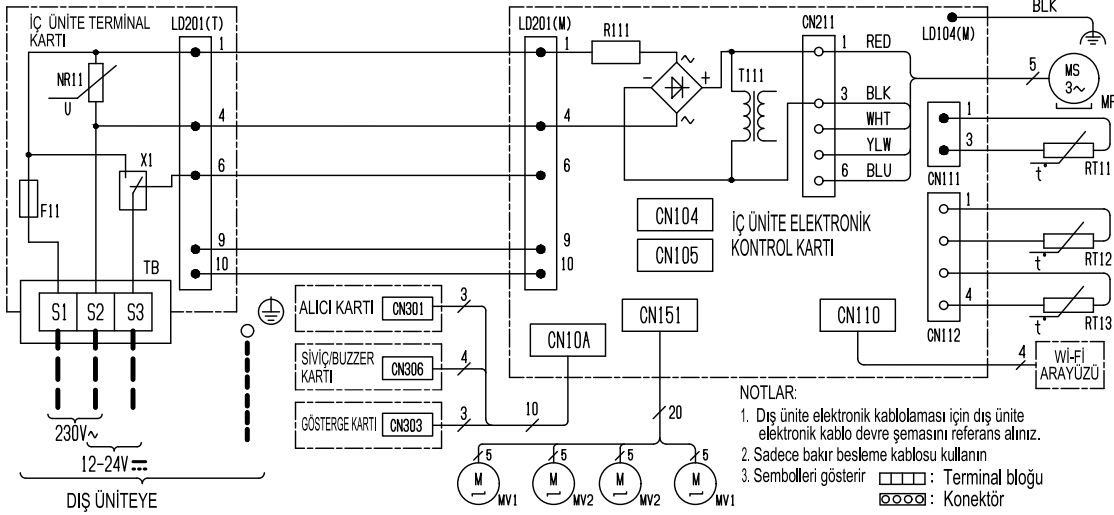


MSZ-AP60VGK - [E1], [ER1] MSZ-AP71VGK - [E1], [ER1], [E2]



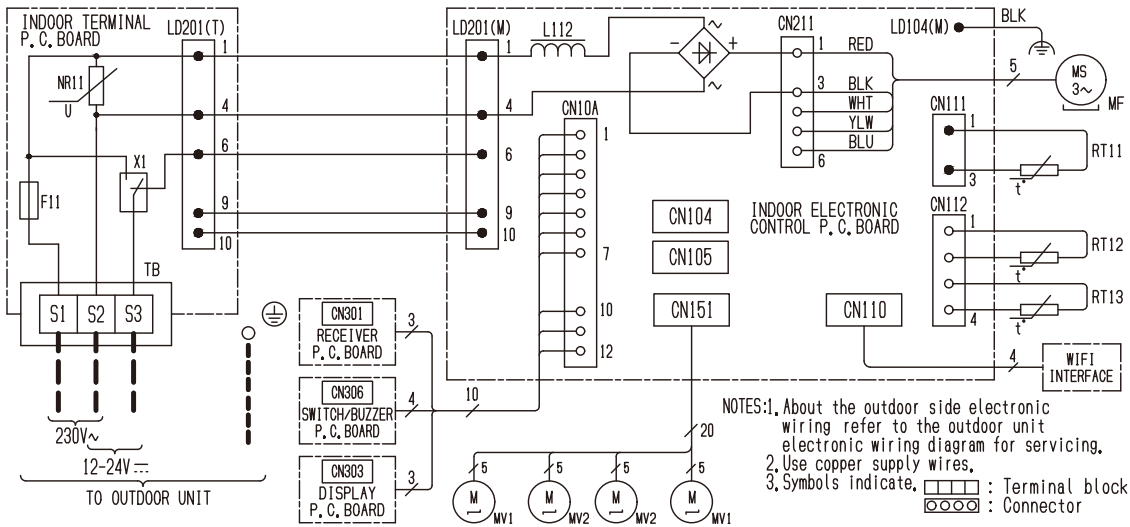
SYMBOL	NAME
F11	FUSE (T3, 15AL250V)
MF	FAN MOTOR
MV1	VANE MOTOR (HORIZONTAL)
MV2	VANE MOTOR (VERTICAL)
NR11	VARISTOR
R111	RESISTOR
RT11	ROOM TEMP. THERMISTOR
RT12	COIL TEMP. THERMISTOR (MAIN)
RT13	COIL TEMP. THERMISTOR (SUB)
T111	TRANSFORMER
TB	TERMINAL BLOCK
X1	RELAY

MSZ-AP60VGK - [ET1] MSZ-AP71VGK - [ET1], [ET2]



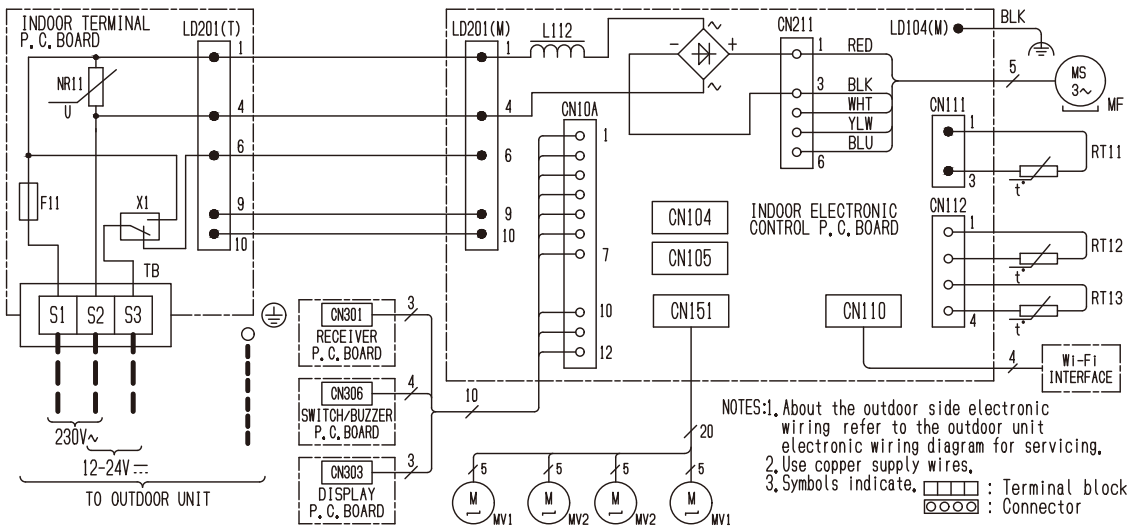
SEMBOL	PARÇA ADI
F11	SİGORTA (T3,15AL250V)
MF	FAN MOTORU
MV1	KANAT MOTORU (YATAY)
MV2	KANAT MOTORU (DİKEY)
NR11	VARİSTÖR
R111	RESİTÖR
RT11	ODA SICAKLIK TERMİSTÖRÜ
RT12	BORU SICAKLIK TERMİSTÖRÜ(ANA)
RT13	BORU SICAKLIK TERMİSTÖRÜ(YARDIMCI)
T111	TRAFÖ
TB	TERMINAL BLOĞU
X1	RÖLE

MSZ-AP60VGK - E2, ER2



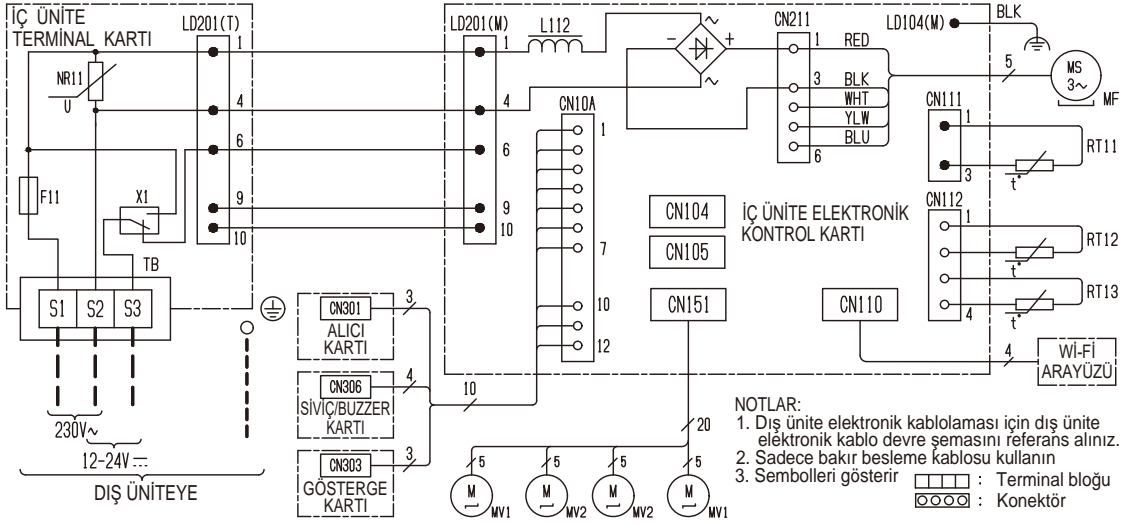
SYMBOL	NAME
F11	FUSE (T3, 15A/250V)
L112	REACTOR
MF	FAN MOTOR
MV1	VANE MOTOR (HORIZONTAL)
MV2	VANE MOTOR (VERTICAL)
NR11	VARISTOR
RT11	ROOM TEMP. THERMISTOR
RT12	COIL TEMP. THERMISTOR (MAIN)
RT13	COIL TEMP. THERMISTOR (SUB)
TB	TERMINAL BLOCK
X1	RELAY

MSZ-AP60VGK - E3, ER3



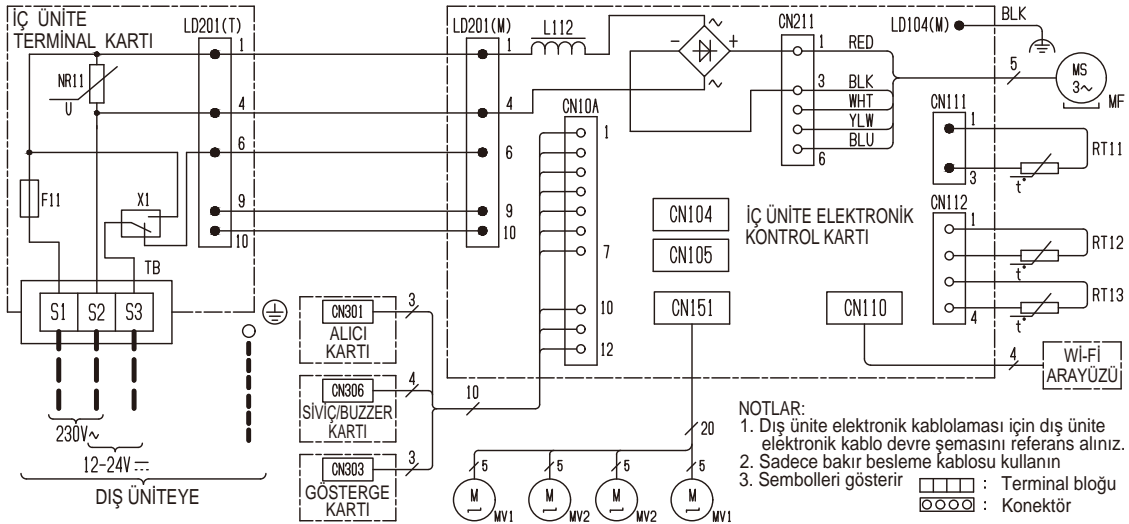
SYMBOL	NAME
F11	FUSE (T3, 15A/250V)
L112	REACTOR
MF	FAN MOTOR
MV1	VANE MOTOR (HORIZONTAL)
MV2	VANE MOTOR (VERTICAL)
NR11	VARISTOR
RT11	ROOM TEMP. THERMISTOR
RT12	COIL TEMP. THERMISTOR (MAIN)
RT13	COIL TEMP. THERMISTOR (SUB)
TB	TERMINAL BLOCK
X1	RELAY

MSZ-AP60VGK - ET2



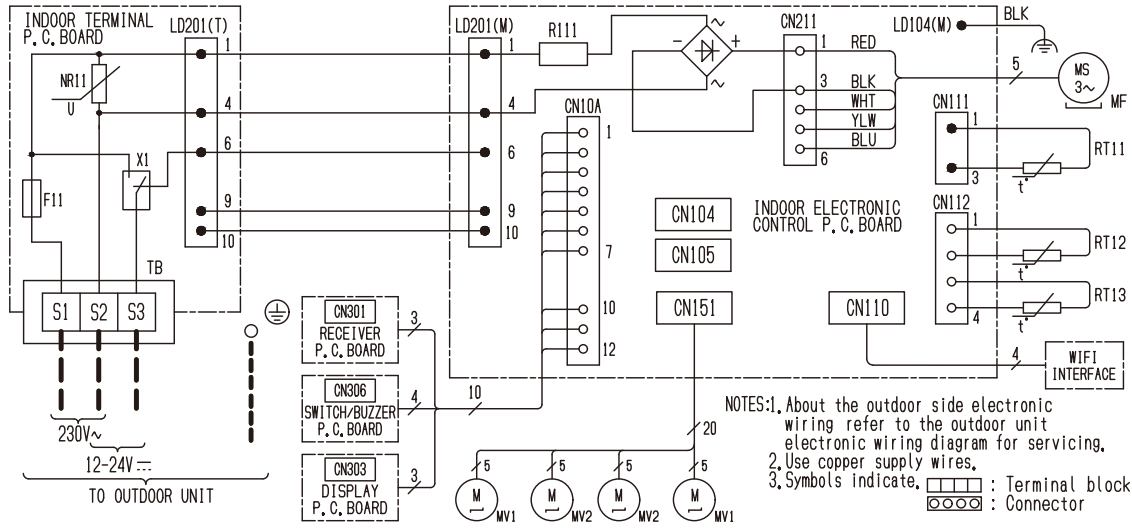
SEMBOL	PARÇA ADI
F11	SİGORTA (T3.15AL250V)
L112	REAKTÖR
MF	FAN MOTORU
MV1	KANAT MOTORU (YATAY)
MV2	KANAT MOTORU (DİKEY)
NR11	VARİSTÖR
RT11	ODA SICAKLIK TERMİSTÖRÜ
RT12	BORU SICAKLIK TERMİSTÖRÜ(ANA)
RT13	BORU SICAKLIK TERMİSTÖRÜ(YARDIMCI)
TB	TERMINAL BLOĞU
X1	RÖLE

MSZ-AP60VGK - ET3



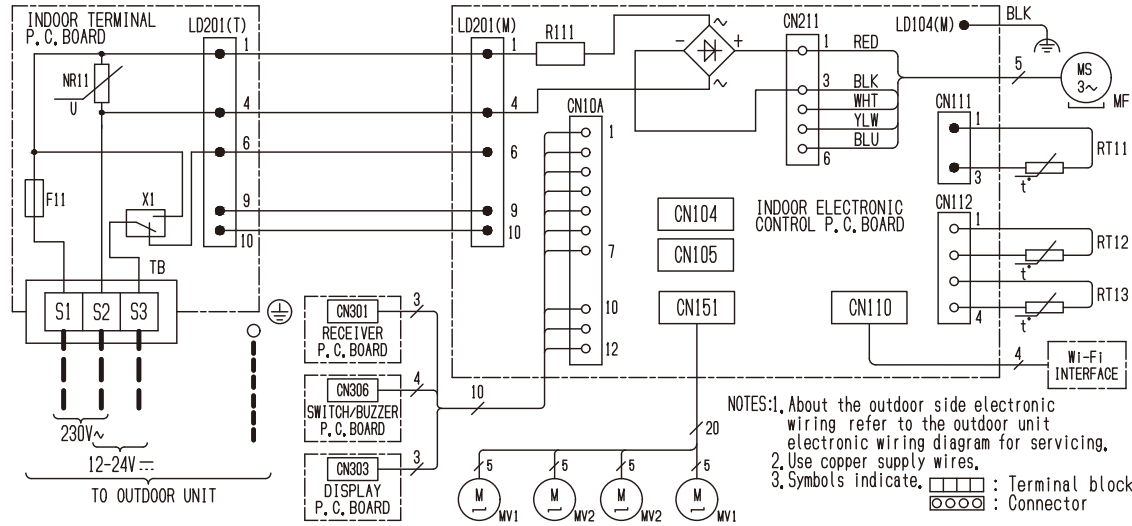
SEMBOL	PARÇA ADI
F11	SİGORTA (T3.15AL250V)
L112	REAKTÖR
MF	FAN MOTORU
MV1	KANAT MOTORU (YATAY)
MV2	KANAT MOTORU (DİKEY)
NR11	VARİSTÖR
RT11	ODA SICAKLIK TERMİSTÖRÜ
RT12	BORU SICAKLIK TERMİSTÖRÜ(ANA)
RT13	BORU SICAKLIK TERMİSTÖRÜ(YARDIMCI)
TB	TERMINAL BLOĞU
X1	RÖLE

MSZ-AP71VGK - ER2



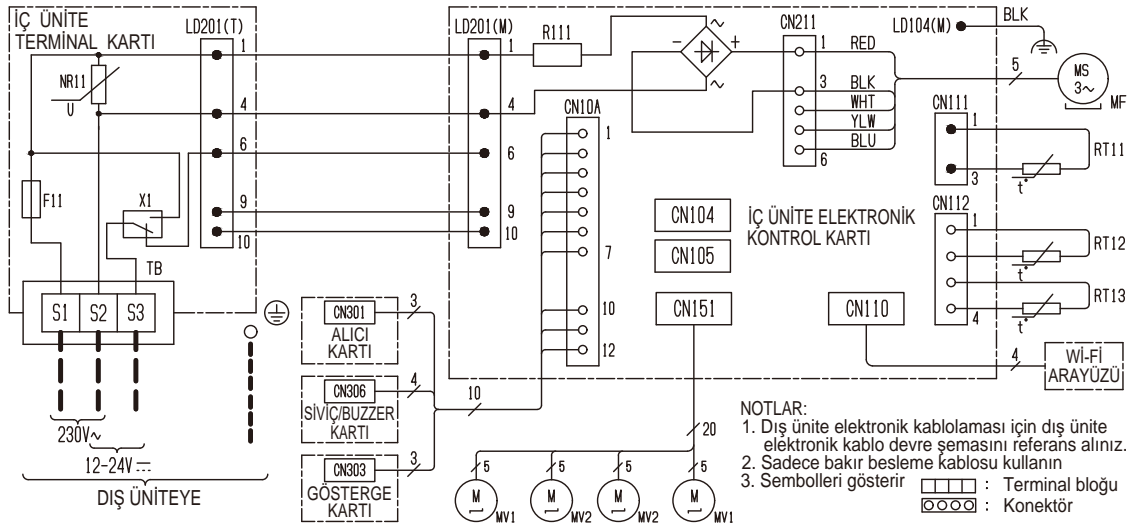
SYMBOL	NAME
F11	FUSE (T3, 15AL250V)
MF	FAN MOTOR
MV1	VANE MOTOR (HORIZONTAL)
MV2	VANE MOTOR (VERTICAL)
NR11	VARISTOR
R111	RESISTOR
RT11	ROOM TEMP. THERMISTOR
RT12	COIL TEMP. THERMISTOR (MAIN)
RT13	COIL TEMP. THERMISTOR (SUB)
TB	TERMINAL BLOCK
X1	RELAY

MSZ-AP71VGK - E3, ER3



SYMBOL	NAME
F11	FUSE (T3, 15AL250V)
MF	FAN MOTOR
MV1	VANE MOTOR (HORIZONTAL)
MV2	VANE MOTOR (VERTICAL)
NR11	VARISTOR
R111	RESISTOR
RT11	ROOM TEMP. THERMISTOR
RT12	COIL TEMP. THERMISTOR (MAIN)
RT13	COIL TEMP. THERMISTOR (SUB)
TB	TERMINAL BLOCK
X1	RELAY

MSZ-AP71VGK - ET3



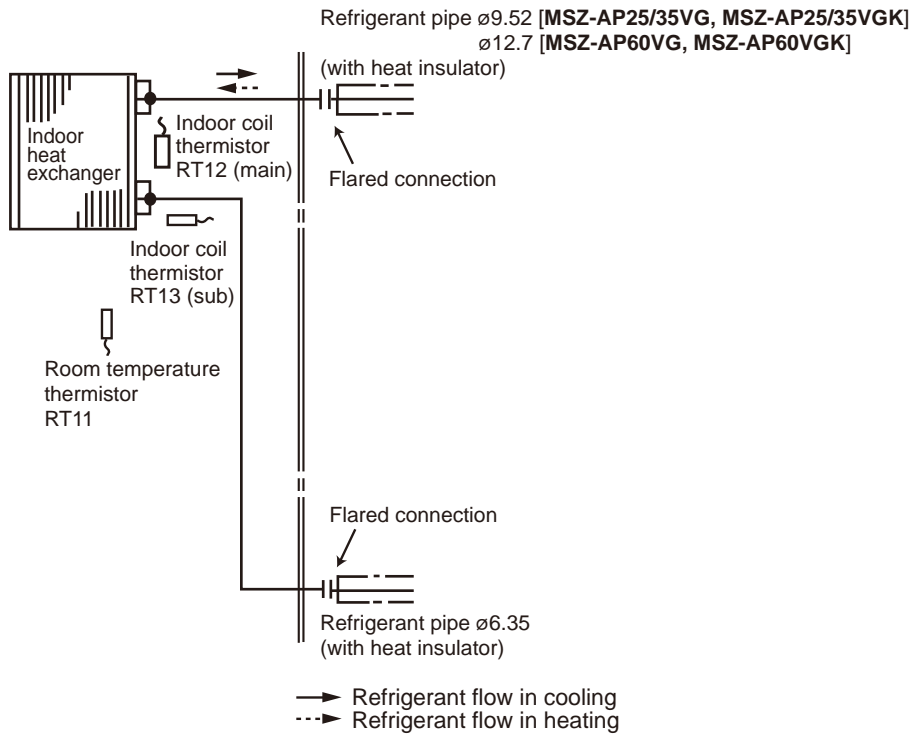
SEMBOLE	PARÇA ADI
F11	SİĞORTA (T3, 15AL250V)
MF	FAN MOTORU
MV1	KANAT MOTORU (YATAY)
MV2	KANAT MOTORU (DİKEY)
NR11	VARİSTÖR
R111	RESİTÖR
RT11	ODA SICAKLIK TERMİSTÖRÜ
RT12	BORU SICAKLIK TERMİSTÖRÜ(ANA)
RT13	BORU SICAKLIK TERMİSTÖRÜ(YARDIMCI)
TB	TERMINAL BLOĞU
X1	RÖLE

7

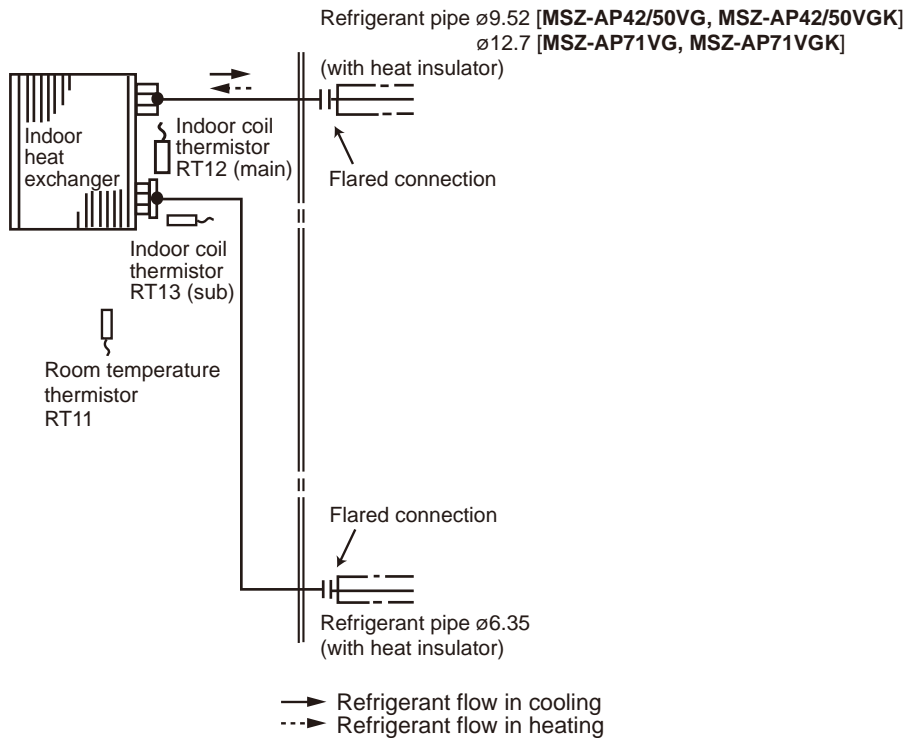
REFRIGERANT SYSTEM DIAGRAM

MSZ-AP25VG MSZ-AP35VG MSZ-AP60VG
MSZ-AP25VGK MSZ-AP35VGK MSZ-AP60VGK

Unit: mm



MSZ-AP42VG MSZ-AP50VG MSZ-AP71VG
MSZ-AP42VGK MSZ-AP50VGK MSZ-AP71VGK



MSZ-AP25VG MSZ-AP35VG MSZ-AP42VG MSZ-AP50VG MSZ-AP60VG
MSZ-AP71VG
MSZ-AP25VGK MSZ-AP35VGK MSZ-AP42VGK MSZ-AP50VGK MSZ-AP60VGK
MSZ-AP71VGK

8-1. TIMER SHORT MODE

For service, the following set time can be shortened by bridging the timer short mode point on the electronic control P.C. board. (Refer to 10-7.)

- The set time for the ON/OFF timer can be reduced to 1 second for each minute.
- After the breaker is turned on, the time for starting the compressor, which normally takes 3 minutes, can be reduced to 1 minute. Restarting the compressor, which takes 3 minutes, cannot be reduced.

8-2. HOW TO SET REMOTE CONTROLLER EXCLUSIVELY FOR A PARTICULAR INDOOR UNIT

A maximum of 4 indoor units with wireless remote controllers can be used in a room.

To operate the indoor units individually with each remote controller, assign a number to each remote controller according to the number of the indoor unit.

This setting can be set only when all the following conditions are met:

- The remote controller is powered OFF.
- Weekly timer is not set.
- Weekly timer is not being edited.

- (1) Hold down [1~4] button on the remote controller for 2 seconds to enter the pairing mode.
- (2) Press [1~4] button again and assign a number to each remote controller.
Each press of [1~4] button advances the number in the following order: 1 → 2 → 3 → 4.
- (3) Press [EDIT/SEND SET] button to complete the pairing setting.

After you turn the breaker ON, the remote controller that first sends a signal to an indoor unit will be regarded as the remote controller for the indoor unit.

Once they are set, the indoor unit will only receive the signal from the assigned remote controller afterwards.

8-3. AUTO RESTART FUNCTION

When the indoor unit is controlled with the remote controller, the operation mode, the set temperature, and the fan speed are memorized by the indoor electronic control P.C. board. "AUTO RESTART FUNCTION" automatically starts operation in the same mode just before the shutoff of the main power.

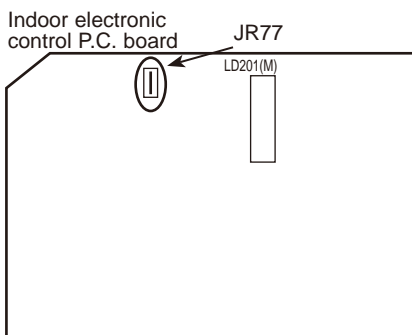
Operation

- ① If the main power has been cut, the operation settings remain.
- ② After the power is restored, the unit restarts automatically according to the memory.
(However, it takes at least 3 minutes for the compressor to start running.)

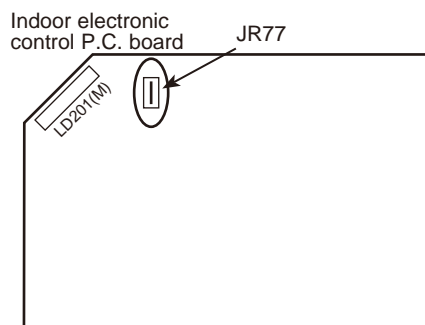
How to disable "AUTO RESTART FUNCTION"

- ① Turn off the main power for the unit.
- ② Cut the jumper wire to JR77 on the indoor electronic control P.C. board. (Refer to 10-7.)

MSZ-AP25/35/42/50VG
MSZ-AP25/35/42/50VGK



MSZ-AP60/71VG
MSZ-AP60/71VGK



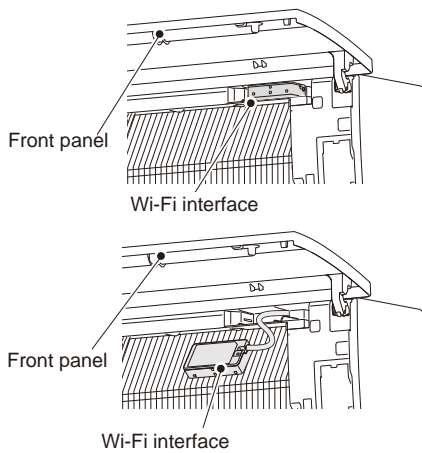
NOTE:

- The operation settings are memorized when 10 seconds have passed after the indoor unit was operated with the remote controller.
- If main power is turned OFF or a power failure occurs while AUTO START/STOP timer is active, the timer setting is cancelled.
- If the unit has been off with the remote controller before power failure, the auto restart function does not work as the power button of the remote controller is OFF.
- To prevent breaker OFF due to the rush of starting current, systematize other home appliance not to turn ON at the same time.
- When some air conditioners are connected to the same supply system, if they are operated before power failure, the starting current of all the compressors may flow simultaneously at restart. Therefore, the special countermeasures are required to prevent the main voltage-drop or the rush of the starting current by adding to the system that allows the units to start one by one.

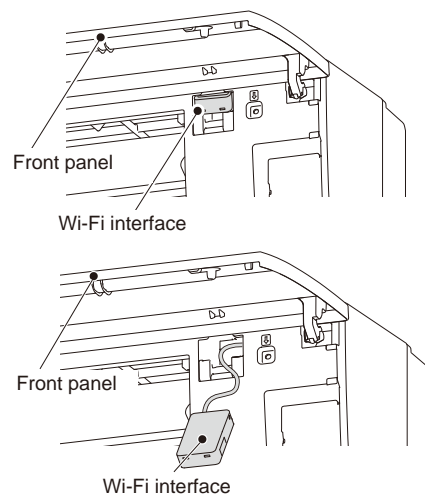
8-4. Wi-Fi INTERFACE SETTING UP (MSZ-AP-VGK)

This Wi-Fi interface communicates the status information and controls the commands from the MELCloud by connecting to an indoor unit.

<MSZ-AP25/35/42/50VGK>



<MSZ-AP60/71VGK>



Wi-Fi interface introduction

No.	Item	Description
1	MODE switch	It selects modes.
2	RESET switch	It resets the system and ALL settings.
3	ERR LED (Orange)	It shows the network error state.
4	NET LED (Green)	It shows the network state.
5	MODE LED (Orange)	It shows the Access point mode state.
6	UNIT LED (Green)	It shows the indoor unit state.

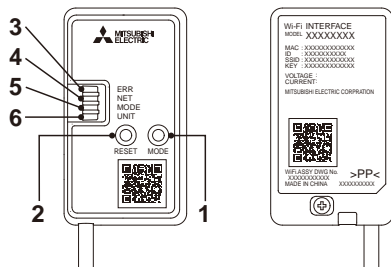
- (1) Open the front panel and remove the Wi-Fi interface.
- (2) Set up a connection between the Wi-Fi interface and the router. Refer to the SETUP MANUAL and SETUP QUICK REFERENCE GUIDE provided with the unit.

For SETUP MANUAL, please go to the website below.
<http://www.melcloud.com/Support>

- (3) Put the Wi-Fi interface back and close the front panel after the setup is completed.
- (4) For MELCloud User Manual, please go to the website below.
<http://www.melcloud.com/Support>

NOTE:

- Ensure that the Router supports the WPA2-AES encryption setting before starting the Wi-Fi interface setup.
- The End user should read and accept the terms and conditions of the Wi-Fi service before using this Wi-Fi interface.
- To complete connection of this Wi-Fi interface to the Wi-Fi service, the Router may be required.
- This Wi-Fi interface will not commence transmission of any operational data from the system until the End user registers and accepts the terms and conditions of the Wi-Fi service.
- This Wi-Fi interface should not be installed and connected to any Mitsubishi Electric system which is to provide application critical cooling or heating.
- At the time of relocation or disposal, reset the Wi-Fi interface to the factory default.



- (1) MODE switch
 - The MODE switch is used for selecting modes in configurations.
- (2) RESET switch
 - Hold down the RESET switch for 2 seconds to reboot the system.
 - Hold down the RESET switch for 14 seconds to initialize the Wi-Fi interface to the factory default.

NOTE:

When the Wi-Fi interface is reset to the factory default, ALL the configuration information will be lost. Take great care in implementing this operation.

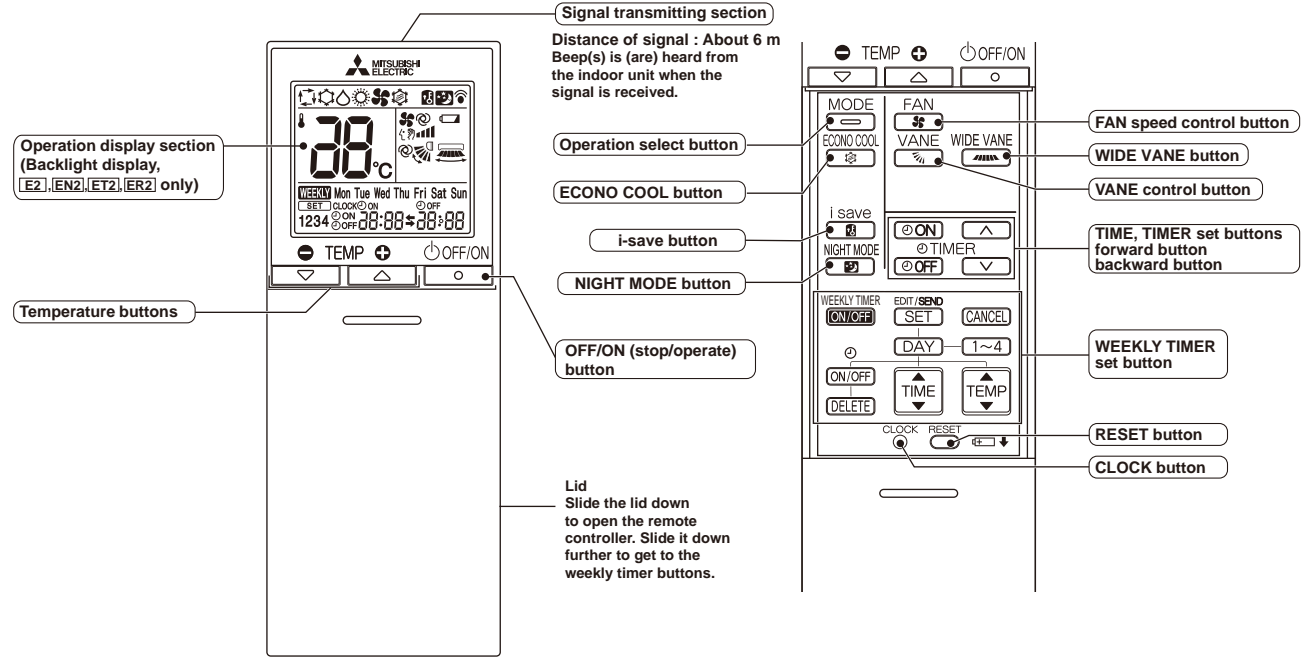
Mitsubishi Electric's Wi-Fi interface is designed for communication to Mitsubishi Electric's MELCloud Wi-Fi service. Third party Wi-Fi interfaces cannot be connected to MELCloud. Mitsubishi Electric is not responsible for any (i) under performance of a system or any product; (ii) system or product fault; or (iii) loss or damage to any system or product; which is caused by or arises from connection to and/or use of any third party Wi-Fi interface or any third party Wi-Fi service with Mitsubishi Electric equipment.

For the latest information regarding MELCloud from Mitsubishi Electric Corporation, please visit www.MELCloud.com.

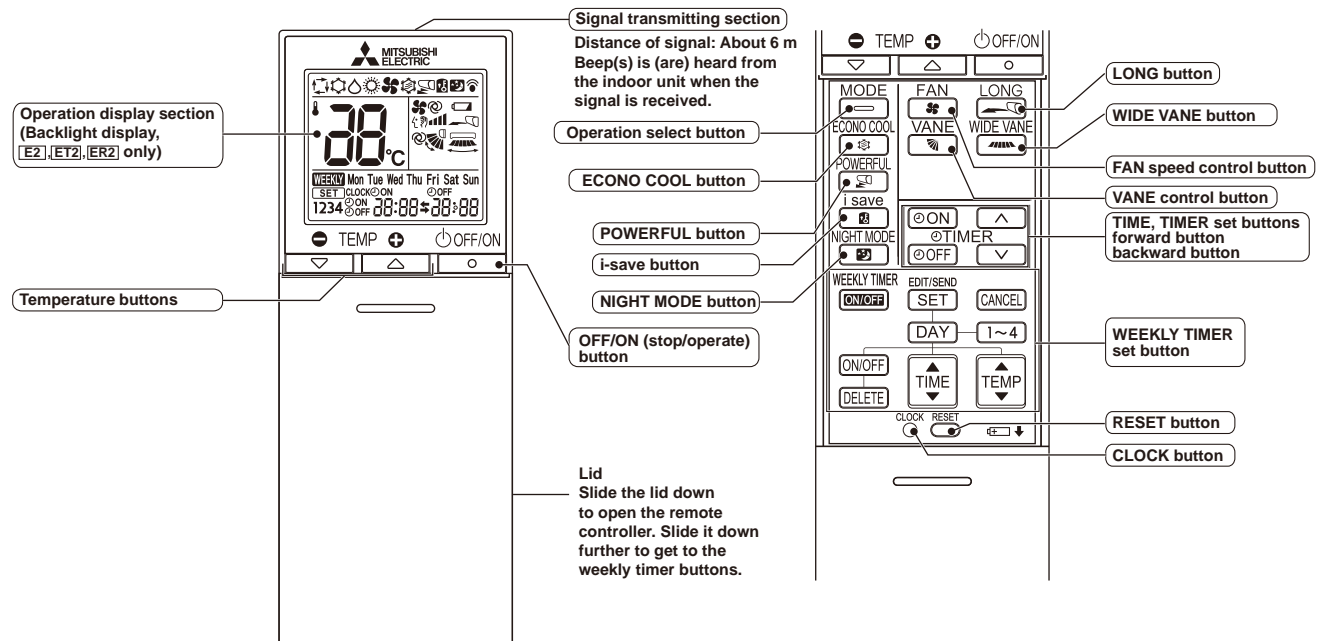
- MSZ-AP25VG MSZ-AP35VG MSZ-AP42VG MSZ-AP50VG MSZ-AP60VG
 MSZ-AP71VG
 MSZ-AP25VGK MSZ-AP35VGK MSZ-AP42VGK MSZ-AP50VGK MSZ-AP60VGK
 MSZ-AP71VGK

WIRELESS REMOTE CONTROLLER

- MSZ-AP25VG MSZ-AP35VG MSZ-AP42VG MSZ-AP50VG
 MSZ-AP25VGK MSZ-AP35VGK MSZ-AP42VGK MSZ-AP50VGK



- MSZ-AP60VG MSZ-AP71VG
 MSZ-AP60VGK MSZ-AP71VGK









NOTE: Last setting will be stored after the unit is turned OFF with the remote controller. Indoor unit receives the signal of the remote controller with beeps.

INDOOR UNIT DISPLAY SECTION

Operation Indicator lamp

The operation indicator at the right side of the indoor unit indicates the operation state.

- The following indication applies regardless of shape of the indication.

Indication	Operation state	Room temperature
 	The unit is operating to reach the set temperature	About 2°C or more away from set temperature
 	The room temperature is approaching the set temperature	About 1 to 2°C from set temperature
 	Standby mode (Only during multi system operation)	—

-  Lit
-  Blinking
-  Not lit

9-1. COOL (❄️) OPERATION

- (1) Press OFF/ON (stop/operate) button.
OPERATION INDICATOR lamp of the indoor unit turns on with a beep tone.
- (2) Select COOL mode with Operation select button.
- (3) Press Temperature buttons TEMP \ominus or \oplus button to select the desired temperature. The setting range is 16 - 31°C.

1. Coil frost prevention

The compressor operational frequency is controlled by the temperature of the indoor heat exchanger to prevent the coil from frosting.

When the temperature of indoor heat exchanger becomes too low, the coil frost prevention mode works.

The indoor fan operates at the set speed and the compressor stops. This mode continues until the temperature of indoor heat exchanger rises.

2. Low outside temperature operation

When the outside temperature is lower, low outside temperature operation starts, and the outdoor fan slows or stops.

3. Indoor fan speed control

When the thermostat turns OFF, the indoor fan operates very Low to reduce power consumption.

When the room temperature rises and the thermostat is ON, the indoor fan operates according to the settings on the remote controller.

9-2. DRY (☀️) OPERATION

- (1) Press OFF/ON (stop/operate) button.
OPERATION INDICATOR lamp of the indoor unit turns on with a beep tone.
- (2) Select DRY mode with Operation select button.
- (3) The set temperature is determined from the initial room temperature.

1. Coil frost prevention

Coil frost prevention works the same way as that in COOL mode. (9-1.1.)

2. Low outside temperature operation

Low outside temperature operation works the same way as that in COOL mode. (9-1.2.)

3. Indoor fan speed control

Indoor fan speed control works the same way as that in COOL mode. (9-1.3.)

9-3. FAN (🌀) OPERATION

- (1) OPERATION INDICATOR lamp of the indoor unit turns on with a beep tone.
- (2) Select FAN mode with Operation select button.
- (3) Select the desired fan speed. When AUTO, it becomes Low.
Only indoor fan operates.
Outdoor unit does not operate.

9-4. HEAT (☀) OPERATION

- (1) Press OFF/ON (stop/operate) button.
OPERATION INDICATOR lamp of the indoor unit turns on with a beep tone.
- (2) Select HEAT mode with Operation select button.
- (3) Press Temperature buttons TEMP \ominus or \oplus button to select the desired temperature. The setting range is 10 - 31°C.

1. Cold air prevention control

When the compressor is not operating or is starting, and the temperature of indoor heat exchanger and/or the room temperature is low or when defrosting is being done, the indoor fan will stop or rotate in Very Low speed.

2. High pressure protection

The compressor operational frequency is controlled by the temperature of the indoor heat exchanger to prevent the condensing pressure from increasing excessively.

When the temperature of indoor heat exchanger becomes too high, the high pressure protection works.

The indoor fan operates following the cold air prevention control. This mode continues until the temperature of indoor heat exchanger falls.

3. Defrosting

Defrosting starts when the temperature of outdoor heat exchanger becomes too low.

The compressor stops once, the indoor/outdoor fans stop, the 4-way valve reverses, and the compressor re-starts.

This mode continues until the temperature of outdoor heat exchanger rises or the fixed time passes.

9-5. AUTO CHANGE OVER ... AUTO MODE OPERATION

Once desired temperature is set, unit operation is switched automatically between COOL and HEAT operation.

Mode selection

(1) Initial mode

When unit starts the operation with AUTO operation from OFF:

- If the room temperature is higher than the set temperature, operation starts in COOL mode.
- If the room temperature is equal to or lower than the set temperature, operation starts in HEAT mode.

(2) Mode change

COOL mode changes to HEAT mode when about 15 minutes have passed with the room temperature 1°C below the set temperature.

HEAT mode changes to COOL mode when about 15 minutes have passed with the room temperature 1°C above the set temperature.

NOTE 1

If 2 or more indoor units are operating in multi system, there might be a case that the indoor unit, which is operating in \square (AUTO), cannot change over to the other operating mode (COOL \leftrightarrow HEAT) and becomes a state of standby.

Refer to **NOTE 2 "FOR MULTI SYSTEM AIR CONDITIONER"**.

NOTE 2

FOR MULTI SYSTEM AIR CONDITIONER OUTDOOR UNIT: MXZ series

Multi system air conditioner can connect 2 or more indoor units with 1 outdoor unit.

- When you try to operate 2 or more indoor units with 1 outdoor unit simultaneously, one for the cooling and the others for heating, the operation mode of the indoor unit that operates first is selected. Other indoor units cannot operate, and operation indicator lamp blinks as shown in the figure below. In this case, please set all the indoor units to the same operation mode.

OPERATION INDICATOR



 Lit



 Blinking

 Not lit

- When indoor unit starts the operation during defrosting of outdoor unit, it takes a few minutes (max. 10 minutes) to blow out warm air.
- In the heating operation, though indoor unit is not operating, it may get warm or the sound of refrigerant flow may be heard. It is not malfunction. The reason is that the refrigerant continuously flows into it.

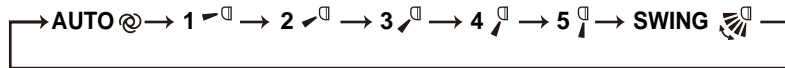
9-6. AUTO VANE OPERATION

1. Horizontal vane

(1) Vane motor drive

These models are equipped with a stepping motor for the horizontal vane. The rotating direction, speed, and angle of the motor are controlled by pulse signals (approximately 12 V) transmitted from indoor microprocessor.

(2) The horizontal vane angle and mode change as follows by pressing VANE control button.



(3) Positioning

To confirm the standard position, the vane moves until it touches the vane stopper. Then the vane is set to the selected angle.

Confirming of standard position is performed in the following cases:

- When the operation starts or finishes (including timer operation).
- When the test run starts.
- When standby mode (only during multi system operation) starts or finishes.

(4) VANE AUTO (@) mode

In VANE AUTO mode, the microprocessor automatically determines the vane angle to make the optimum room temperature distribution.

In COOL and DRY operation

Vane angle is fixed to Horizontal position.

In HEAT operation

Vane angle is fixed to Angle 4.



(5) STOP (operation OFF) and ON TIMER standby

In the following cases, the horizontal vane returns to the closed position.

- When OFF/ON (stop/operate) button is pressed (POWER OFF).
- When the operation is stopped by the emergency operation.
- When ON TIMER is ON standby.

(6) Dew prevention

During COOL or DRY operation with the vane angle at Angle 5 [**MSZ-AP25/35/42/50VG, MSZ-AP25/35/42/50VGK**] Angle 4 or 5 [**MSZ-AP60/71VG, MSZ-AP60/71VGK**] when the compressor cumulative operation time exceeds 1 hour, the vane angle automatically changes to Angle 4 [**MSZ-AP25/35/42/50VG, MSZ-AP25/35/42/50VGK**] /Angle 3 [**MSZ-AP60/71VG, MSZ-AP60/71VGK**] for dew prevention.

(7) SWING (with fan icon) mode

By selecting SWING mode with VANE control button, the horizontal vanes swing vertically.

When COOL, DRY or FAN mode is selected, only the upper vane swings.

(8) Cold air prevention in HEAT operation

The horizontal vane position is set to upward.

NOTE: When 2 or more indoor units are operated with multi outdoor unit, even if any indoor unit turns thermostat off, this control does not work in the indoor unit.

(9) ECONO COOL (with thermometer icon) operation (ECONOMICAL operation)

When ECONO COOL button is pressed in COOL mode, set temperature is automatically set 2°C higher by the microprocessor. However, the temperature on the LCD screen on the remote controller is not changed. Also the horizontal vane swings in various cycle.

SWING operation makes you feel cooler than set temperature. So, even though the set temperature is higher, the air conditioner can keep comfort. As a result, energy can be saved.

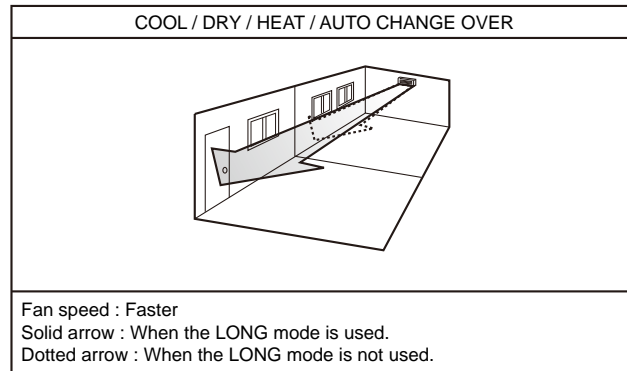
To cancel this operation, select a different mode or press one of the following buttons in ECONO COOL operation: ECONO COOL, VANE control, LONG [**MSZ-AP60/71VG, MSZ-AP60/71VGK**] or POWERFUL [**MSZ-AP60/71VG, MSZ-AP60/71VGK**] button.

(10) POWERFUL (with lightning bolt icon) operation [**MSZ-AP60/71VG, MSZ-AP60/71VGK**]

The air conditioner automatically adjusts the fan speed and the set temperature, and operates the POWERFUL mode. The POWERFUL mode is cancelled automatically 15 minutes after operation starts, or when POWERFUL button is pressed once again within 15 minutes after operation starts. The operation mode returns to the mode prior to POWERFUL operation. POWERFUL mode also is cancelled, when the OFF/ON (stop/operate), ECONO COOL, FAN speed control or i-save button is pressed within 15 minutes after operation starts, or operation mode is changed.

(11) LONG MODE () (MSZ-AP60/71VG, MSZ-AP60/71VGK)

By pressing LONG button indoor fan speed becomes faster than setting fan speed on the remote controller, and the horizontal vane moves to the position for LONG mode. The remote controller displays " ". LONG mode is cancelled when OFF/ON (stop/operate), LONG, VANE control or ECONO COOL button is pressed. In the following example, the vertical vane is set to (front.).



2. Vertical vane

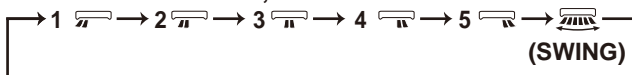
(1) Vane motor drive

These models are equipped with a stepping motor for the vertical vane. The rotating direction, speed, and angle of the motor are controlled by pulse signals (approximately 12 V) transmitted from microprocessor.

(2) The vertical vane angle and mode change as follows by pressing WIDE VANE button.

(3) Positioning

MSZ-AP25/35/42/50VG, MSZ-AP25/35/42/50VGK



MSZ-AP60/71VG, MSZ-AP60/71VGK



To confirm the standard position, the vane moves until it touches the vane stopper. Then the vane is set to the selected angle.

Confirmation of standard position is performed in the following cases:

(a) OFF/ON (stop/operate) button is pressed (POWER ON).

(4) SWING () MODE

By selecting SWING mode with WIDE VANE button, the vertical vane swings horizontally. The remote controller displays " ". Swing mode is cancelled when WIDE VANE button is pressed once again.

9-7. TIMER OPERATION

1. How to set the time

(1) Check that the current time is set correctly.

NOTE: Timer operation will not work without setting the current time. Initially "0:00" blinks at the current time display of TIME MONITOR, so set the current time correctly with CLOCK button.

How to set the current time

(a) Press the CLOCK button.

(b) Press the TIME set buttons () and () to set the current time.

- Each time forward button () is pressed, the set time increases by 1 minute, and each time backward button () is pressed, the set time decreases by 1 minute.

- Pressing those buttons longer, the set time increases/decreases by 10 minutes.

(c) Press the CLOCK button.

(2) Press OFF/ON (stop/operate) button to start the air conditioner.

(3) Set the time of timer.

ON timer setting

(a) Press ON TIMER button () during operation.

(b) Set the time of the timer using TIME set buttons () and (). *

OFF timer setting

(a) Press OFF TIMER button () during operation.

(b) Set the time of the timer using TIME set buttons () and (). *

* Each time forward button () is pressed, the set time increases by 10 minutes: each time backward button () is pressed, the set time decreases by 10 minutes.

2. To release the timer

To release ON timer, press ON TIMER button ().

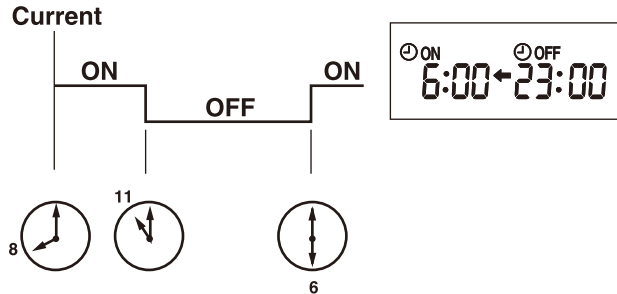
To release OFF timer, press OFF TIMER button ().

TIMER is cancelled and the display of set time disappears.

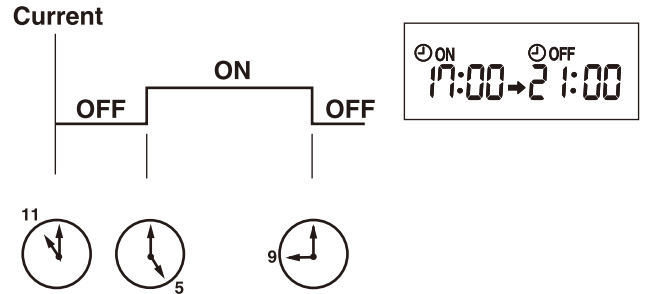
PROGRAM TIMER

- OFF timer and ON timer can be used in combination. The set time that is reached first will operate first.
- “←” and “→” display shows the order of OFF timer and ON timer operation.

(Example 1) The current time is 8:00 PM.
The unit turns off at 11:00 PM, and on at 6:00 AM.



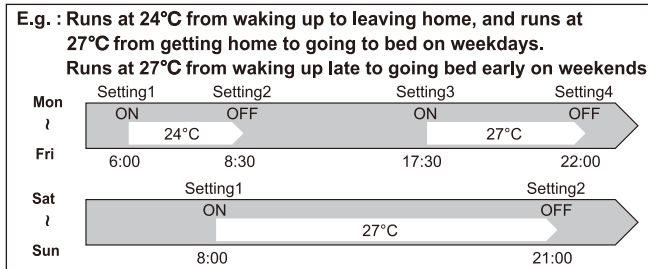
(Example 2) The current time is 11:00 AM.
The unit turns on at 5:00 PM, and off at 9:00 PM.



NOTE: If the main power is turned OFF or a power failure occurs while ON/OFF timer is active, the timer setting is cancelled. As these models are equipped with an auto restart function, the air conditioner starts operating with timer cancelled when power is restored.

9-8. WEEKLY TIMER OPERATION

- A maximum of 4 ON or OFF timers can be set for individual days of the week.
- A maximum of 28 ON or OFF timers can be set for a week.



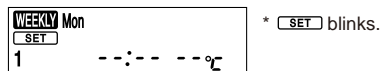
NOTE:

- The simple ON/OFF timer setting is available while the weekly timer is on. In this case, the ON/OFF timer has priority over the weekly timer; the weekly timer operation will start again after the simple ON/OFF timer is complete.

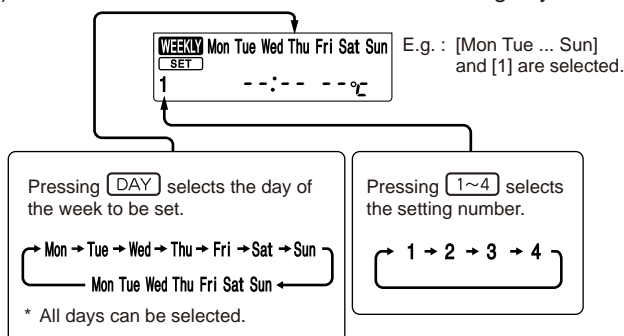
1. How to set the weekly timer

* Make sure that the current time and day are set correctly.

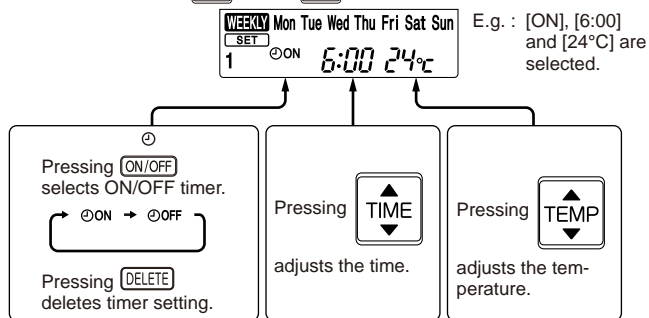
(1) Press **EDIT/SEND** button to enter the weekly timer setting mode.



(2) Press **DAY** and **1~4** buttons to select setting day and number.



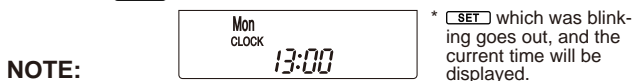
(3) Press , , and buttons to set ON/OFF, time, and temperature.



- * Hold down the button to change the time quickly.
- * The temperature can be set between 16°C and 31°C at cool operation.
- * The temperature can be set between 10°C and 31°C at HEAT operation.

Press and to continue setting the timer for other days and/or numbers.

(4) Press button to complete and transmit the weekly timer setting.



- Press button to transmit the setting information of weekly timer to the indoor unit. Point the remote controller toward the indoor unit for 3 seconds.
- When setting the timer for more than one day of the week or one number, button does not have to be pressed per each setting. Press button once after all the settings are complete. All the weekly timer settings will be saved.
- Press button to enter the weekly timer setting mode, and press and hold button for 5 seconds to erase all weekly timer settings. Point the remote controller toward the indoor unit.

(5) Press button to turn the weekly timer ON. (lights.)

- When the weekly timer is ON, the day of the week whose timer setting is complete, will light.

Press button again to turn the weekly timer OFF. (goes out.)

NOTE:
The saved settings will not be cleared when the weekly timer is turned OFF.

2. Checking weekly timer setting

(1) Press button to enter the weekly timer setting mode.

* blinks.

(2) Press or buttons to view the setting of the particular day or number.

(3) Press button to exit the weekly timer setting.

NOTE:
When all days of the week are selected to view the settings and a different setting is included among them, will be displayed.

9-9. NIGHT MODE (🌙) OPERATION

NIGHT MODE changes the brightness of the operation indicator, disables the beep sound and limits the noise level of the outdoor unit.

(1) Press NIGHT MODE button during operation to activate NIGHT MODE (🌙).

- The operation indicator lamp dims.
- The beep sound will be disabled except that emitted when the operation is started or stopped.
- Noise level of the outdoor unit will be lower than that mentioned in SPECIFICATIONS.(Except the connection to **MXZ**.)

(2) Press NIGHT MODE button to cancel NIGHT MODE (🌙).

- NOTE:**
- The cooling / heating capacity may drop.
 - Noise level of the outdoor unit may not change after startup of the unit, during the protection operation, or depending on other operating conditions.
 - The fan speed of the indoor unit will not change.
 - The operation indicator lamp will be hard to be seen in a bright room.
 - Noise level of the outdoor unit will not decrease during Multi system operation.

9-10. i-save (iB) OPERATION

1. How to set i-save operation

- (1) Press OFF/ON (stop/operate) button.
- (2) Select COOL, ECONO COOL, HEAT or NIGHT mode.
- (3) Press i-save button.
- (4) Set the temperature, fan speed, and airflow direction for i-save operation.

NOTE:



- i-save operation cannot be selected during DRY or AUTO mode operation.
- The setting range of HEAT mode i-save operation is 10 - 31°C.
- 2 groups of setting can be saved. (One for COOL/ECONO COOL, one for HEAT)

2. How to cancel operation



- Press i-save button again.
- i-save operation can also be cancelled by pressing Operation select button to change the operation mode. The preferred setting can be saved for the next time with a single press of i-save button.

9-11. OPERATION LOCK

This function locks operation mode only. Other functions, such as OFF/ON, temperature setting, or airflow direction adjustment, are available.

- (1) Hold down  button and  button simultaneously for 2 seconds while the unit is not operating to enable OPERATION LOCK.

The icon for the locked operation mode blinks.

- (2) Hold down  button and  button simultaneously for 2 seconds again while the unit is not operating to disable OPERATION LOCK.

- The icon for the locked operation mode blinks when  button and  button are held down to enable or disable OPERATION LOCK or  button is pressed during operation while OPERATION LOCK is enabled.

9-12. EMERGENCY/TEST OPERATION

In the case of test run operation or emergency operation, use the emergency operation switch on the right side of the indoor unit. Emergency operation is available when the remote controller is missing or has failed, or the batteries in the remote controller are running down. The unit will start and OPERATION INDICATOR lamp will light up.

The first 30 minutes of operation is the test run operation. This operation is for servicing. The indoor fan runs at High speed and the temperature control does not work.

After 30 minutes of test run operation, the system shifts to EMERGENCY COOL/HEAT MODE with a set temperature of 24°C. The fan speed shifts to Med.

The coil frost prevention works even in the test run or the emergency operation.

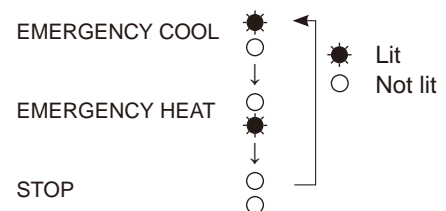
In the test run or emergency operation, the horizontal vane operates in VANE AUTO (@) mode.

Emergency operation continues until the emergency operation switch is pressed once or twice or the unit receives any signal from the remote controller. In the latter case, normal operation will start.

Operation mode	COOL/HEAT
Set temperature	24°C
Fan speed	Med.
Horizontal vane	Auto

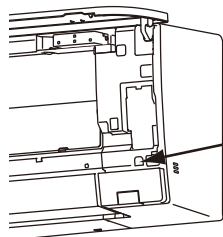
The operation mode is indicated by the Operation Indicator lamp as following

Operation Indicator lamp



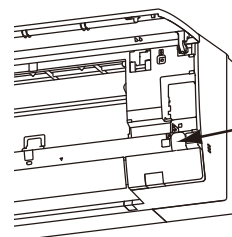
NOTE: Do not press the emergency operation switch during normal operation.

MSZ-AP25/35/42/50VG
MSZ-AP25/35/42/50VGK



Emergency operation switch (E.O. SW)

MSZ-AP60/71VG
MSZ-AP60/71VGK



Emergency operation switch (E.O. SW)

9-13. 3-MINUTE TIME DELAY OPERATION

When the system turns OFF, compressor will not restart for 3 minutes as 3-minute time delay function operates to protect compressor from overload.

MSZ-AP25VG MSZ-AP35VG MSZ-AP42VG MSZ-AP50VG MSZ-AP60VG
 MSZ-AP71VG
 MSZ-AP25VGK MSZ-AP35VGK MSZ-AP42VGK MSZ-AP50VGK MSZ-AP60VGK
 MSZ-AP71VGK

10-1. CAUTIONS ON TROUBLESHOOTING

1. Before troubleshooting, check the following

- 1) Check the power supply voltage.
- 2) Check the indoor/outdoor connecting wire for miswiring.

2. Take care of the following during servicing

- 1) Before servicing the air conditioner, be sure to turn OFF the main unit first with the remote controller, and after confirming the horizontal vane is closed, turn OFF the breaker and/or disconnect the power plug.
- 2) Be sure to turn OFF the power supply before removing the front panel, the cabinet, the top panel, and the P.C. board.
- 3) When removing the P.C. board, hold the edge of the board with care NOT to apply stress on the components.
- 4) When connecting or disconnecting the connectors, hold the connector housing. DO NOT pull the lead wires.

<Incorrect>



Lead wiring

<Correct>



Connector housing

3. Troubleshooting procedure

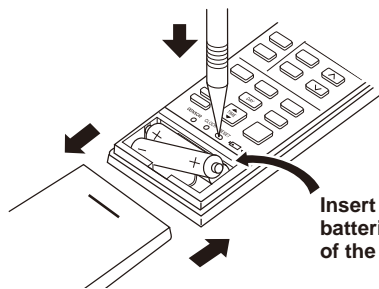
- 1) Check if the OPERATION INDICATOR lamp on the indoor unit is blinking ON and OFF to indicate an abnormality. To make sure, check how many times the OPERATION INDICATOR lamp is blinking ON and OFF before starting service work.
- 2) Before servicing, verify that all connectors and terminals are connected properly.
- 3) When the electronic control P.C. board seems to be defective, check for disconnection of the copper foil pattern and burnt or discolored components.
- 4) When troubleshooting, refer to 10-2, 10-3 and 10-4.

4. How to replace batteries

Weak batteries may cause the remote controller malfunction.

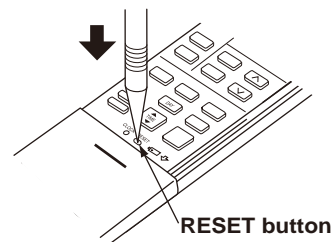
In this case, replace the batteries to operate the remote controller normally.

- ① Remove the front lid and insert batteries. Then reattach the front lid.



Insert the negative pole of the batteries first. Check if the polarity of the batteries is correct.

- ② Press RESET button with a fine-tipped object, and then use the remote controller.



RESET button

NOTE: 1. If RESET button is not pressed, the remote controller may not operate correctly.

2. This remote controller has a circuit to automatically reset the microprocessor when batteries are replaced.

This function is equipped to prevent the microprocessor from malfunctioning due to the voltage drop caused by the battery replacement.

3. Do not use the leaking batteries.

10-2. FAILURE MODE RECALL FUNCTION

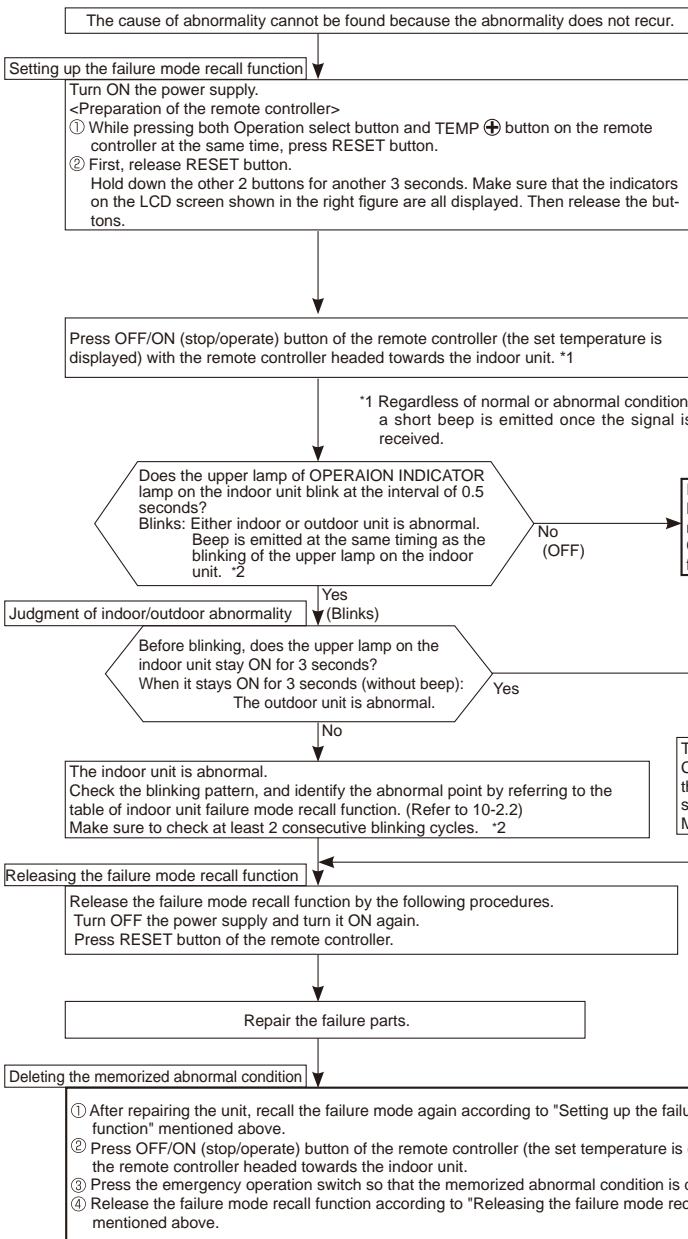
Outline of the function

This air conditioner can memorize the abnormal condition which has occurred once.

Even though LED indication listed on the troubleshooting check table (10-4.) disappears, the memorized failure details can be recalled.

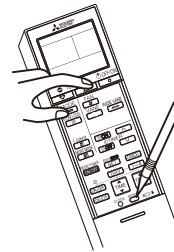
1. Flow chart of failure mode recall function for the indoor/outdoor unit

Operational procedure

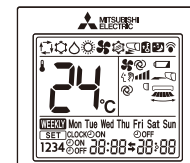
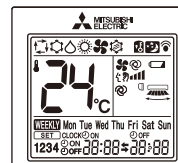
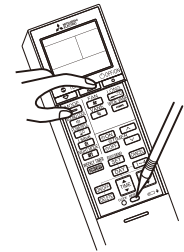


NOTE: The indoor unit does not operate by smartphone, refer to 10-3.2."Check of Wi-Fi Interface".

MSZ-AP25/35/42/50VG
MSZ-AP25/35/42/50VGK



MSZ-AP60/71VG
MSZ-AP60/71VGK



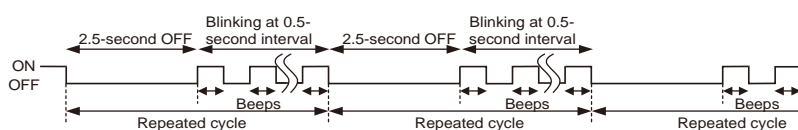
Indoor unit is normal.
But the outdoor unit might be abnormal because there are some abnormalities that cannot be recalled with this way.
Check if outdoor unit is abnormal according to the detailed outdoor unit failure mode recall function.

NOTE: It takes up to 1 minute to indicate the outdoor unit abnormality.
Even if the OPERATION INDICATOR lamp is not lit, keep checking at least 1 minute or longer.

The outdoor unit is abnormal.
Check the blinking pattern, and identify the abnormal point by referring to the table of outdoor unit failure mode recall function. (Refer to outdoor unit service manual.)
Make sure to check at least 2 consecutive blinking cycles. *3

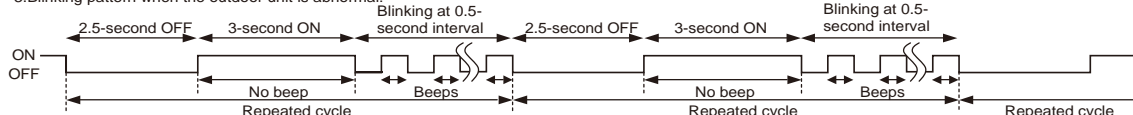
NOTE: 1. Make sure to release the failure mode recall function after it is set up, otherwise the unit cannot operate properly.
2. If the abnormal condition is not deleted from the memory, the last abnormal condition is kept memorized.

*2. Blinking pattern when the indoor unit is abnormal:



*4 The information regarding whether the connected outdoor unit is a low-standby-power model or a non-low-standby-power model will also be initialized. (Default= compatible with a low-standby-power model)

*3. Blinking pattern when the outdoor unit is abnormal:





2. Table of indoor unit failure mode recall function

NOTE: Blinking patterns of this mode differ from the ones of TROUBLESHOOTING CHECK TABLE (10-4.).

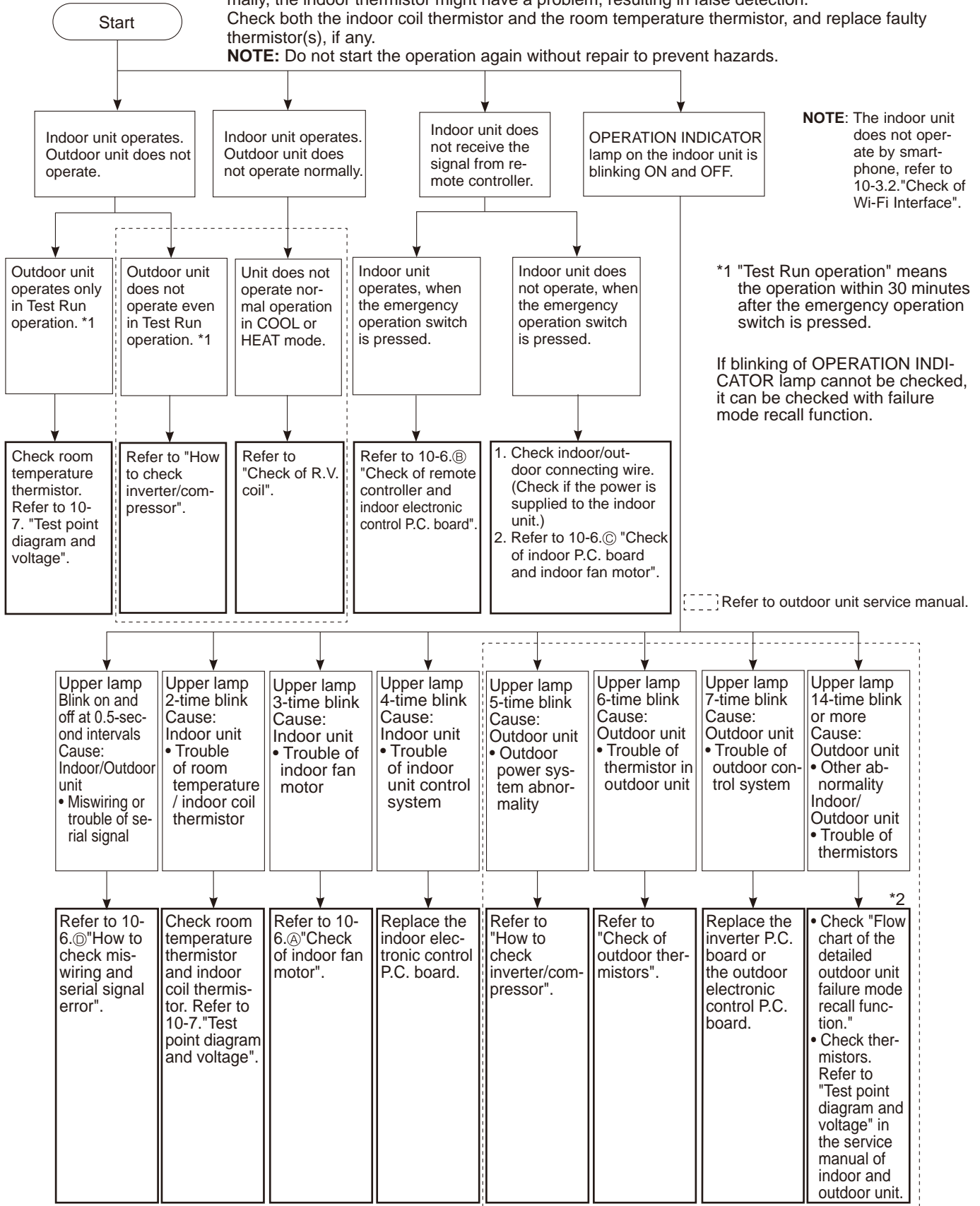
The upper lamp of OPERATION INDICATOR lamp	Abnormal point (Failure mode)	Condition	Remedy
Not lit	Normal	—	—
1-time blink every 0.5-second	Room temperature thermistor	The room temperature thermistor short or open circuit is detected every 8 seconds during operation.	Refer to the characteristics of the room temperature thermistor (10-7.).
2-time blink 2.5-second OFF	Indoor coil thermistor	The indoor coil thermistor short or open circuit is detected every 8 seconds during operation.	Refer to the characteristics of the main indoor coil thermistor, the sub indoor coil thermistor (10-7.).
3-time blink 2.5-second OFF	Serial signal	The serial signal from outdoor unit is not received for a maximum of 6 minutes.	Refer to 10-6.Ⓒ "How to check miswiring and serial signal error".
11-time blink 2.5-second OFF	Indoor fan motor	The rotational frequency feedback signal is not emitted for 12 seconds after the indoor fan motor is operated.	Refer to 10-6.Ⓐ "Check of indoor fan motor".
12-time blink 2.5-second OFF	Indoor control system	It cannot properly read data in the nonvolatile memory of the indoor electronic control P.C. board.	Replace the indoor electronic control P.C. board.

10-3. INSTRUCTION OF TROUBLESHOOTING

1. Check of the unit.

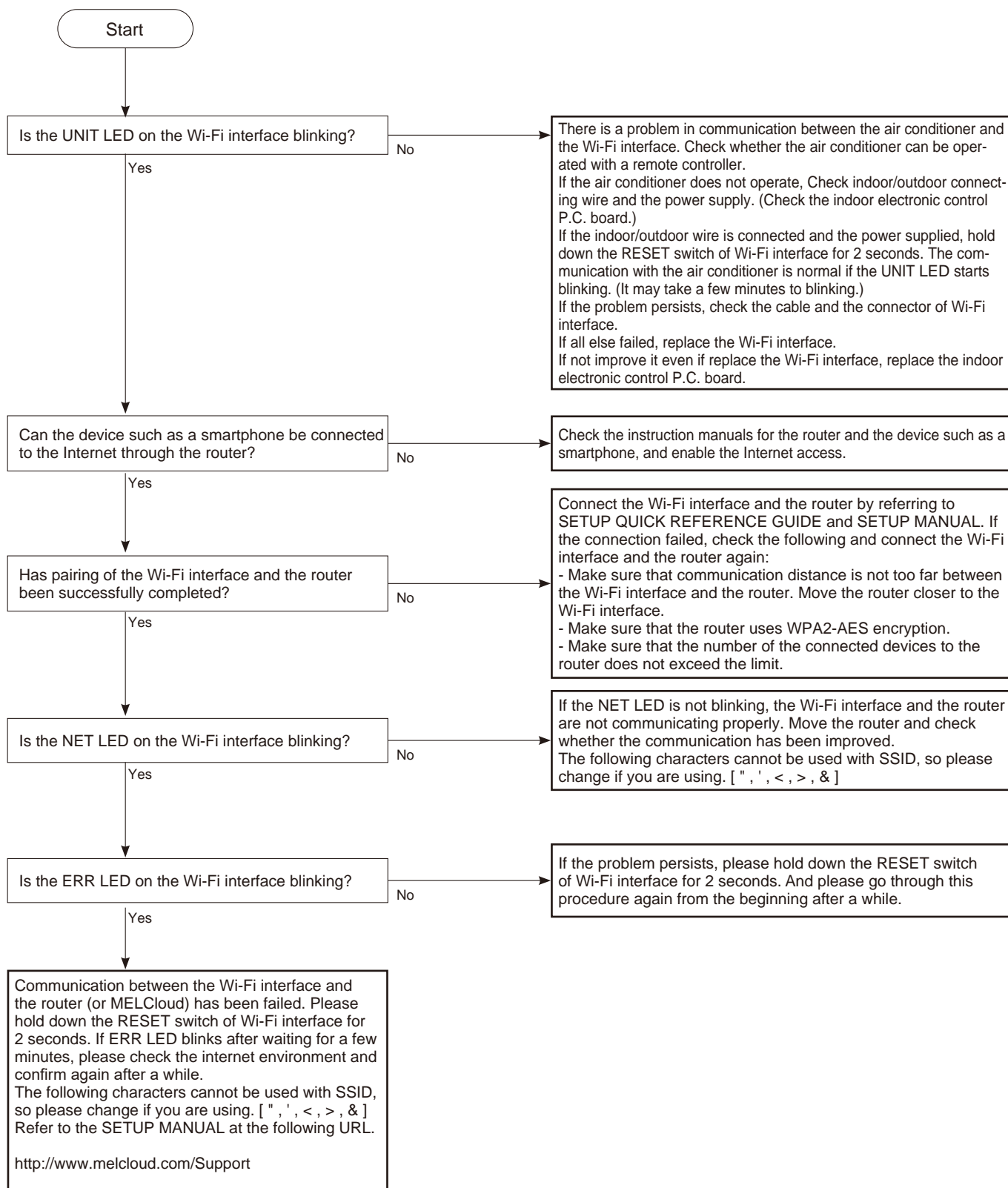
*2 There is possibility that diesel explosion may occur due to the air mixed in the refrigerant circuit. First, ensure that there are no leakage points on the valves, flare connections, etc. that allow the air to flow into the refrigerant circuit, or no blockage points (e.g. clogged or closed valves) in the refrigerant circuit that cause an increase in pressure. If there is no abnormal point like above and the system operates cooling and heating modes normally, the indoor thermistor might have a problem, resulting in false detection. Check both the indoor coil thermistor and the room temperature thermistor, and replace faulty thermistor(s), if any.

NOTE: Do not start the operation again without repair to prevent hazards.



2. Check of Wi-Fi interface (MSZ-AP-VGK)

Follow the procedure below if the air conditioner cannot be monitored or controlled with a device such as a smartphone.












10-4. TROUBLESHOOTING CHECK TABLE

Before taking measures, make sure that the symptom reappears for accurate troubleshooting.

When the indoor unit has started operation and detected an abnormality of the following condition (the first detection after the power ON), the indoor fan motor turns OFF and OPERATION INDICATOR lamp blinks.

OPERATION INDICATOR



No.	Abnormal point	Operation indicator lamp	Symptom	Condition	Remedy
1	Miswiring or serial signal	Upper lamp blinks. 0.5-second ON  0.5-second OFF	Indoor unit and outdoor unit do not operate.	The serial signal from the outdoor unit is not received for 6 minutes. The indoor unit is connected to a low-standby-power model after once connected to a non-low-standby-power model.	<ul style="list-style-type: none"> Refer to 10-6. ④ "How to check miswiring and serial signal error". Refer to NOTE.
2	Indoor coil thermistor Room temperature thermistor	Upper lamp blinks. 2-time blink  2.5-second OFF		The indoor coil or the room temperature thermistor is short or open circuit.	<ul style="list-style-type: none"> Refer to the characteristics of indoor coil thermistor, and the room temperature thermistor (10-7.).
3	Indoor fan motor	Upper lamp blinks. 3-time blink  2.5-second OFF		The rotational frequency feedback signal is not emitted during the indoor fan operation.	<ul style="list-style-type: none"> Refer to 10-6. ⑤ "Check of indoor fan motor".
4	Indoor control system	Upper lamp blinks. 4-time blink  2.5-second OFF		It cannot properly read data in the nonvolatile memory of the indoor electronic control P.C. board.	<ul style="list-style-type: none"> Replace the indoor electronic control P.C. board.
5	Outdoor power system	Upper lamp blinks. 5-time blink  2.5-second OFF		It consecutively occurs 3 times that the compressor stops for overcurrent protection or start-up failure protection within 1 minute after start-up.	<ul style="list-style-type: none"> Refer to "How to check of inverter/compressor". Refer to outdoor unit service manual Check the stop valve.
6	Outdoor thermistors	Upper lamp blinks. 6-time blink  2.5-second OFF		The outdoor thermistors short or open circuit during the compressor operation.	<ul style="list-style-type: none"> Refer to "Check of outdoor thermistor". Refer to outdoor unit service manual.
7	Outdoor control system	Upper lamp blinks. 7-time blink  2.5-second OFF		It cannot properly read data in the nonvolatile memory of the inverter P.C. board or the outdoor electronic control P.C. board.	<ul style="list-style-type: none"> Replace the inverter P.C. board or the outdoor electronic control P.C. board. Refer to outdoor unit service manual.
8	Other abnormality *2 on 10-3	Upper lamp blinks. 14-time blink or more  2.5-second OFF		An abnormality other than the above is detected. An abnormality of the indoor thermistors, the defrost thermistor or ambient temperature thermistor is detected.	<ul style="list-style-type: none"> Check the stop valve. Check the 4-way valve. Confirm the abnormality in detail using the failure mode recall function for outdoor unit. Refer to "TEST POINT DIAGRAM AND VOLTAGE" on the service manual of indoor and outdoor unit for the characteristics of the thermistors. (Do not start the operation again without repair to prevent hazards.)
9	Outdoor control system	Upper lamp lights up 	Outdoor unit does not operate.	It cannot properly read data in the nonvolatile memory of the inverter P.C. board or the outdoor electronic control P.C. board.	<ul style="list-style-type: none"> Check the blinking pattern of the LED on the inverter P.C. board or the outdoor electronic control P.C. board.

NOTE: The indoor unit may have been connected to a non-low-standby-power model outdoor unit. To use a low-standby-power model, clear the error history by referring to "Deleting the memorized abnormal condition" described in 10-2.1. When the error history is being cleared, the connection information also will be initialized. The indoor unit will be compatible with a low-standby-power model after initialization. If the operation indicator lamp continues to blink as shown in No.1 after the procedure, refer to 10-6. ④ "How to check miswiring and serial error".

OPERATION INDICATOR



● Lit



○ Blinking

○ Not lit

No.	Abnormal point	Operation indicator lamp	Symptom	Condition	Remedy
1	MXZ type Operation mode setting	Upper lamp lights and lower lamp blinks. 2.5-second OFF	Outdoor unit operates but indoor unit does not operate.	The operation mode of the each indoor unit is differently set to COOL (includes DRY) and HEAT at the same time, the operation mode of the indoor unit that has operated at first has the priority.	<ul style="list-style-type: none"> Unify the operation mode. Refer to outdoor unit service manual.

10-5. TROUBLESHOOTING CRITERION OF MAIN PARTS

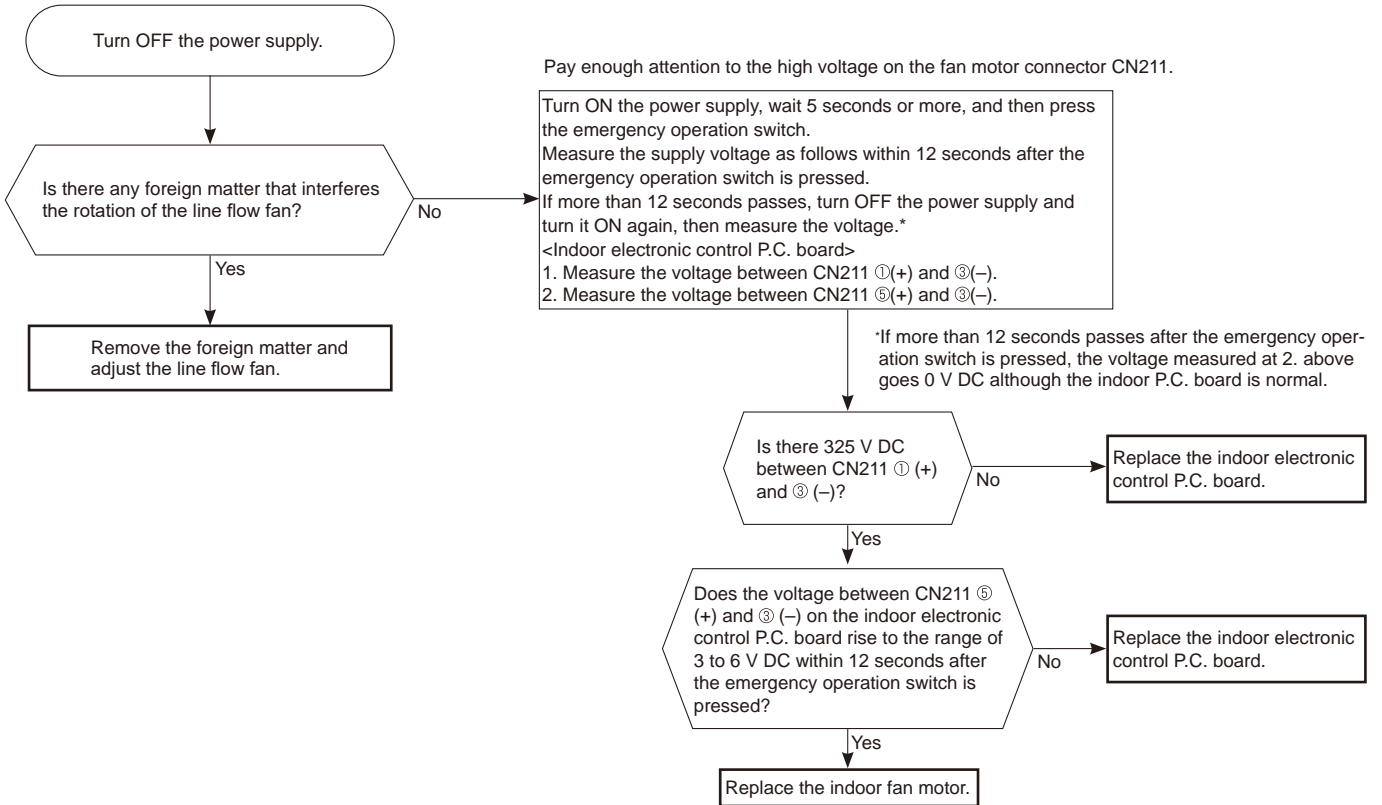
Part name	Check method and criterion	Figure							
Room temperature thermistor (RT11) Indoor coil thermistor (RT12, RT13)	Measure the resistance with a tester. Refer to 10-7. "Test point diagram and voltage", "Indoor electronic control P.C. board", for the chart of thermistor.								
Indoor fan motor (MF)	Check 10-6.Ⓐ "Check of indoor fan motor".								
MSZ-AP25/35/42/50VG MSZ-AP25/35/42/50VGK Horizontal vane motor upper (MV1)	Measure the resistance between the terminals with a tester. (Temperature: 10 - 30°C) <table border="1"> <tr> <td>Color of the lead wire</td> <td>Normal</td> </tr> <tr> <td>RED - SKY*</td> <td>262 - 328 Ω</td> </tr> </table>		Color of the lead wire	Normal	RED - SKY*	262 - 328 Ω			
Color of the lead wire	Normal								
RED - SKY*	262 - 328 Ω								
MSZ-AP25/35/42/50VG MSZ-AP25/35/42/50VGK Horizontal vane motor lower (MV2)	Measure the resistance between the terminals with a tester. (Temperature: 10 - 30°C) <table border="1"> <tr> <td>Color of the lead wire</td> <td>Normal</td> </tr> <tr> <td>RED - SKY*</td> <td>257 - 333 Ω</td> </tr> </table>	Color of the lead wire	Normal	RED - SKY*	257 - 333 Ω				
Color of the lead wire	Normal								
RED - SKY*	257 - 333 Ω								
MSZ-AP25/35/42/50VG MSZ-AP25/35/42/50VGK Vane motor (MV3) (Vertical)	Measure the resistance between the terminals with a tester. (Temperature: 10 - 30°C) <table border="1"> <tr> <td>Color of the lead wire</td> <td>Normal</td> </tr> <tr> <td>RED - SKY*</td> <td>219 - 273 Ω</td> </tr> </table>	Color of the lead wire	Normal	RED - SKY*	219 - 273 Ω				
Color of the lead wire	Normal								
RED - SKY*	219 - 273 Ω								
MSZ-AP60/71VG MSZ-AP60/71VGK Horizontal vane motor (MV1) Vertical vane motor (MV2)	Measure the resistance between the terminals with a tester. (Temperature: 10 - 30°C) <table border="1"> <tr> <td></td> <td>Color of the lead wire</td> <td>Normal</td> </tr> <tr> <td>Horizontal vane motor (MV1)</td> <td rowspan="2">RED - BLK</td> <td>313 ~ 375 Ω</td> </tr> <tr> <td>Vertical vane motor (MV2)</td> <td>268 ~ 322 Ω</td> </tr> </table>		Color of the lead wire	Normal	Horizontal vane motor (MV1)	RED - BLK	313 ~ 375 Ω	Vertical vane motor (MV2)	268 ~ 322 Ω
	Color of the lead wire	Normal							
Horizontal vane motor (MV1)	RED - BLK	313 ~ 375 Ω							
Vertical vane motor (MV2)		268 ~ 322 Ω							

*SKY = SKY BLUE

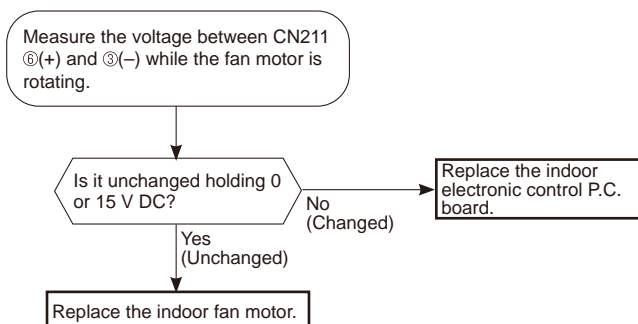
10-6. TROUBLESHOOTING FLOW

A Check of indoor fan motor

The indoor fan motor error has occurred, and the indoor fan does not operate.

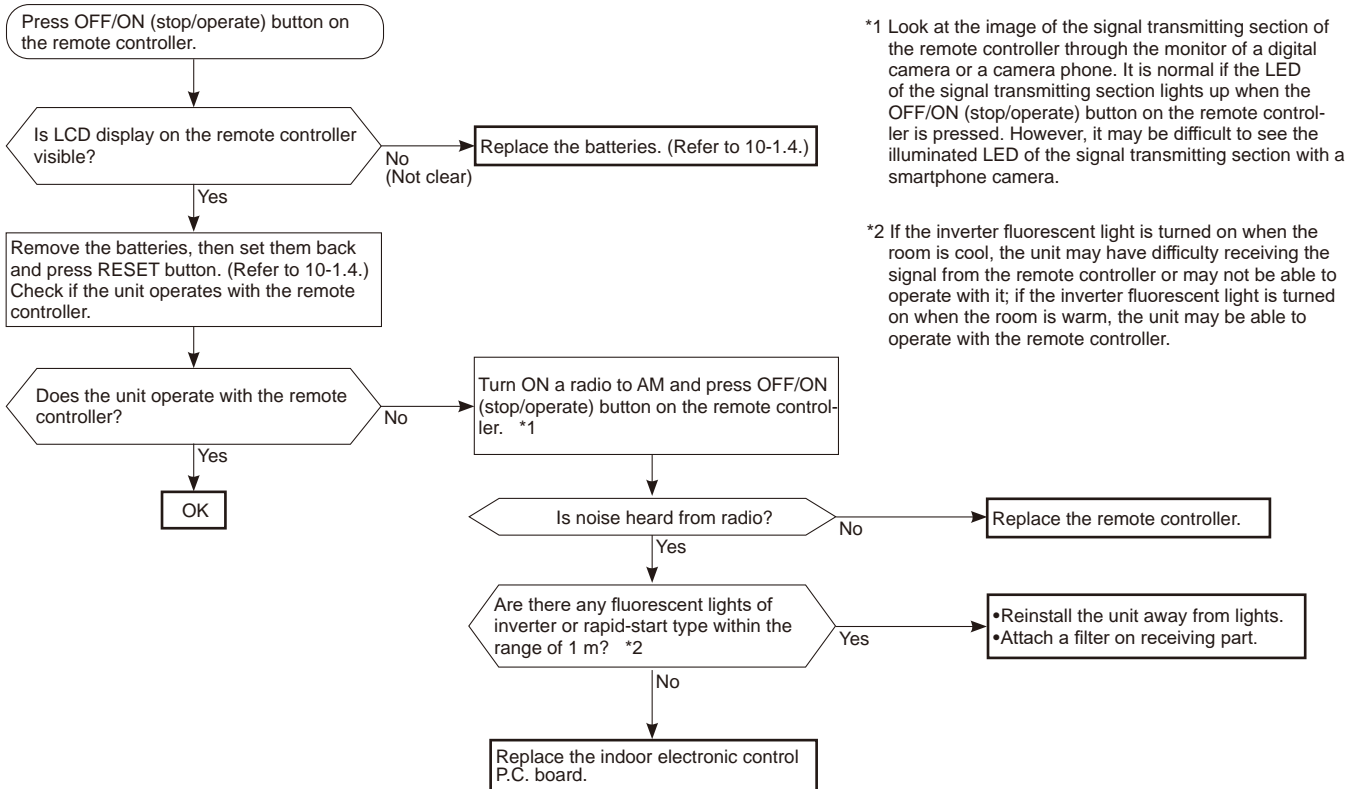


The indoor fan motor error has occurred, and the indoor fan repeats "12-second ON and 30-second OFF" 3 times, and then stops.



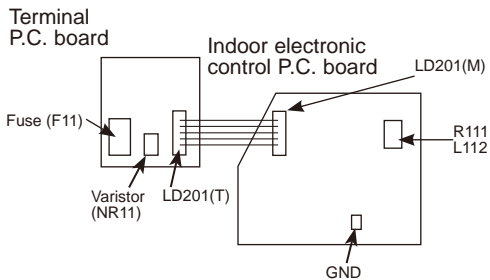
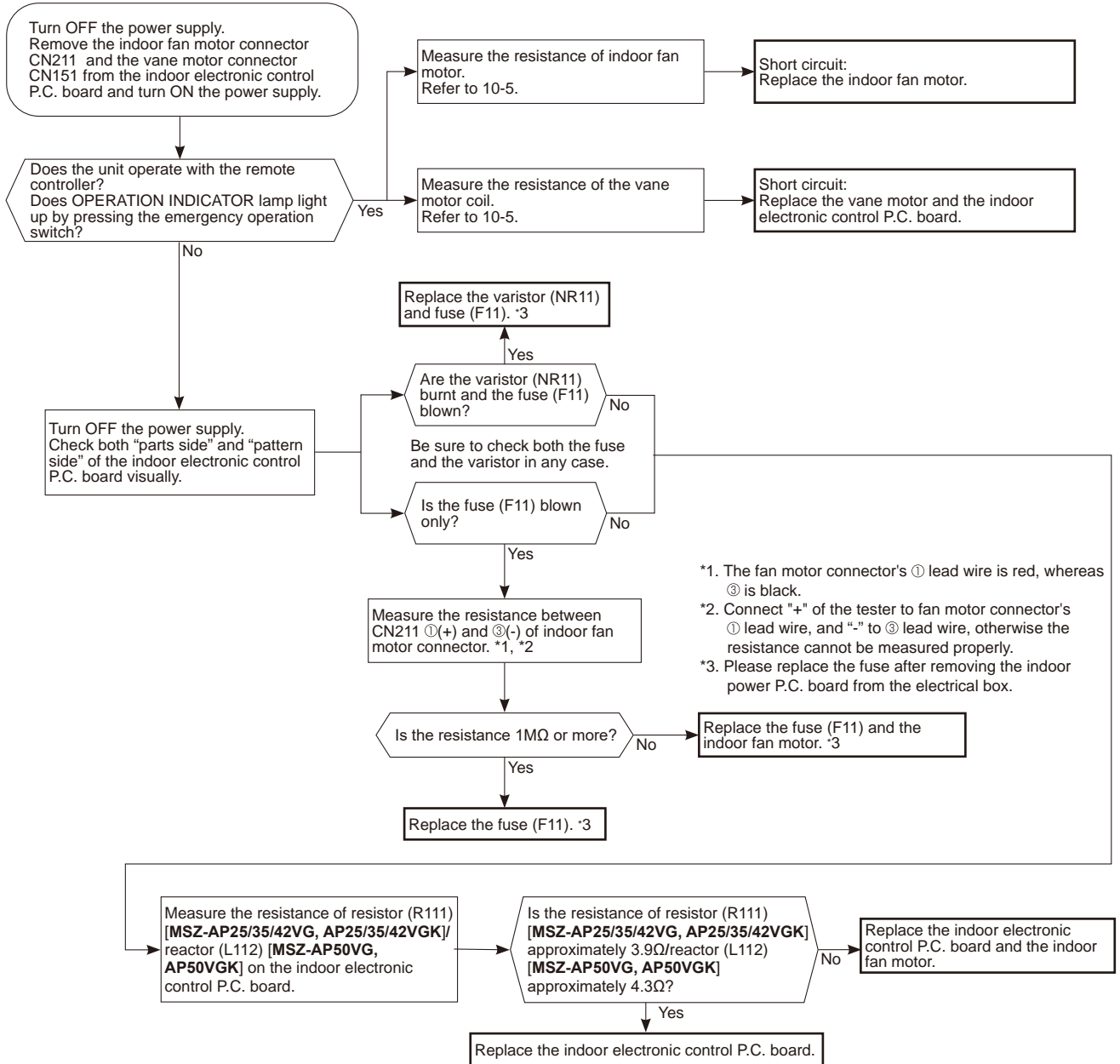
B Check of remote controller and indoor electronic control P.C. board

*Check if the remote controller is exclusive for this air conditioner.

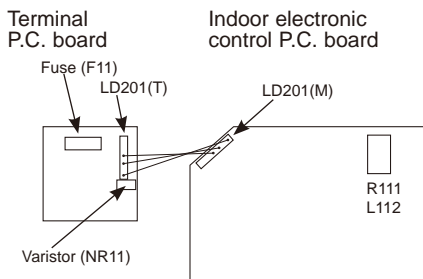
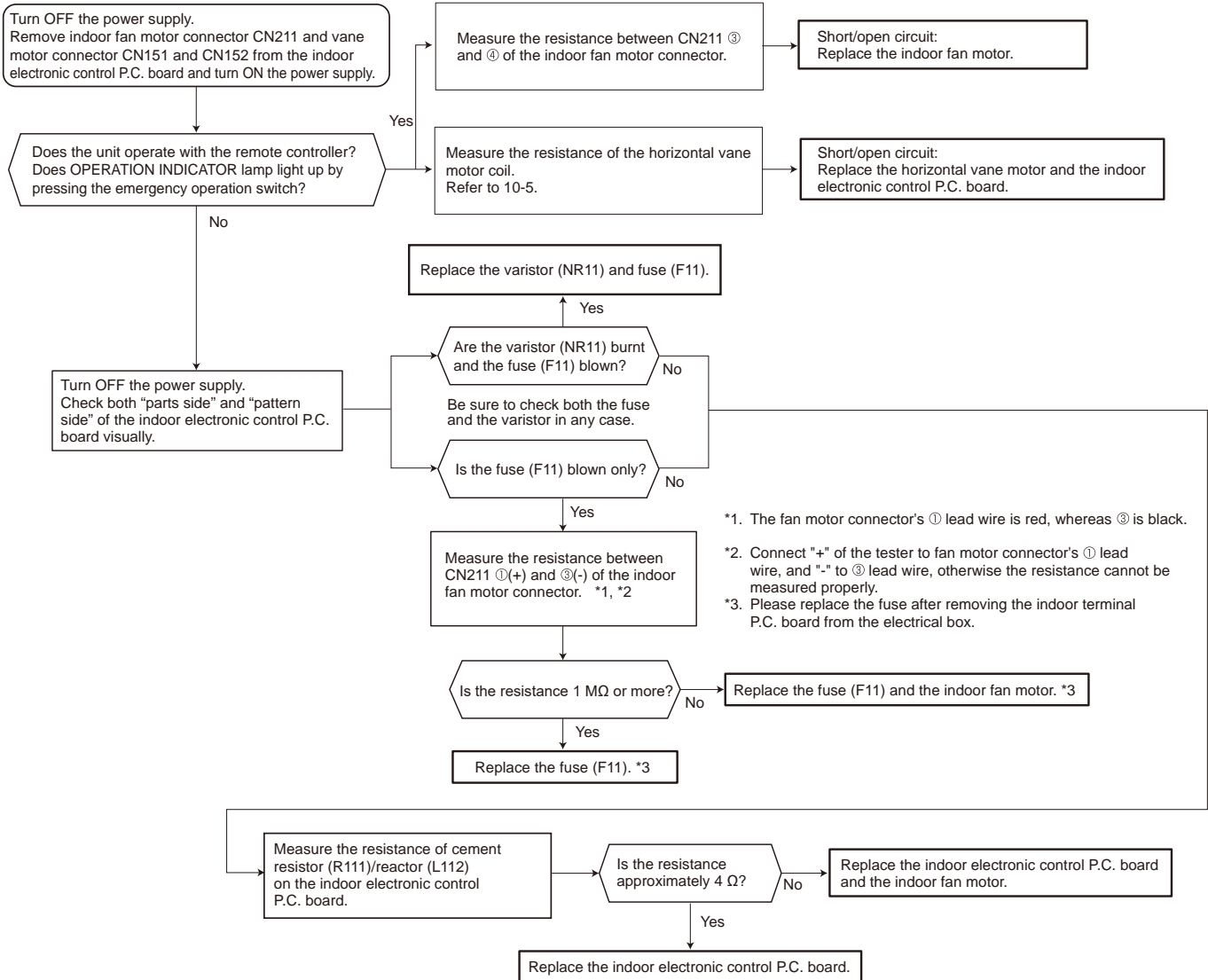


© Check of indoor P.C. board and indoor fan motor

MSZ-AP25/35/42/50VG
MSZ-AP25/35/42/50VGK



MSZ-AP60/71VG
MSZ-AP60/71VGK



MXZ Type

LED indication for communication status

Communication status is indicated by the LED.

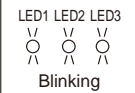
Unit status

Blinking: normal communication
Lit: abnormal communication or not connected

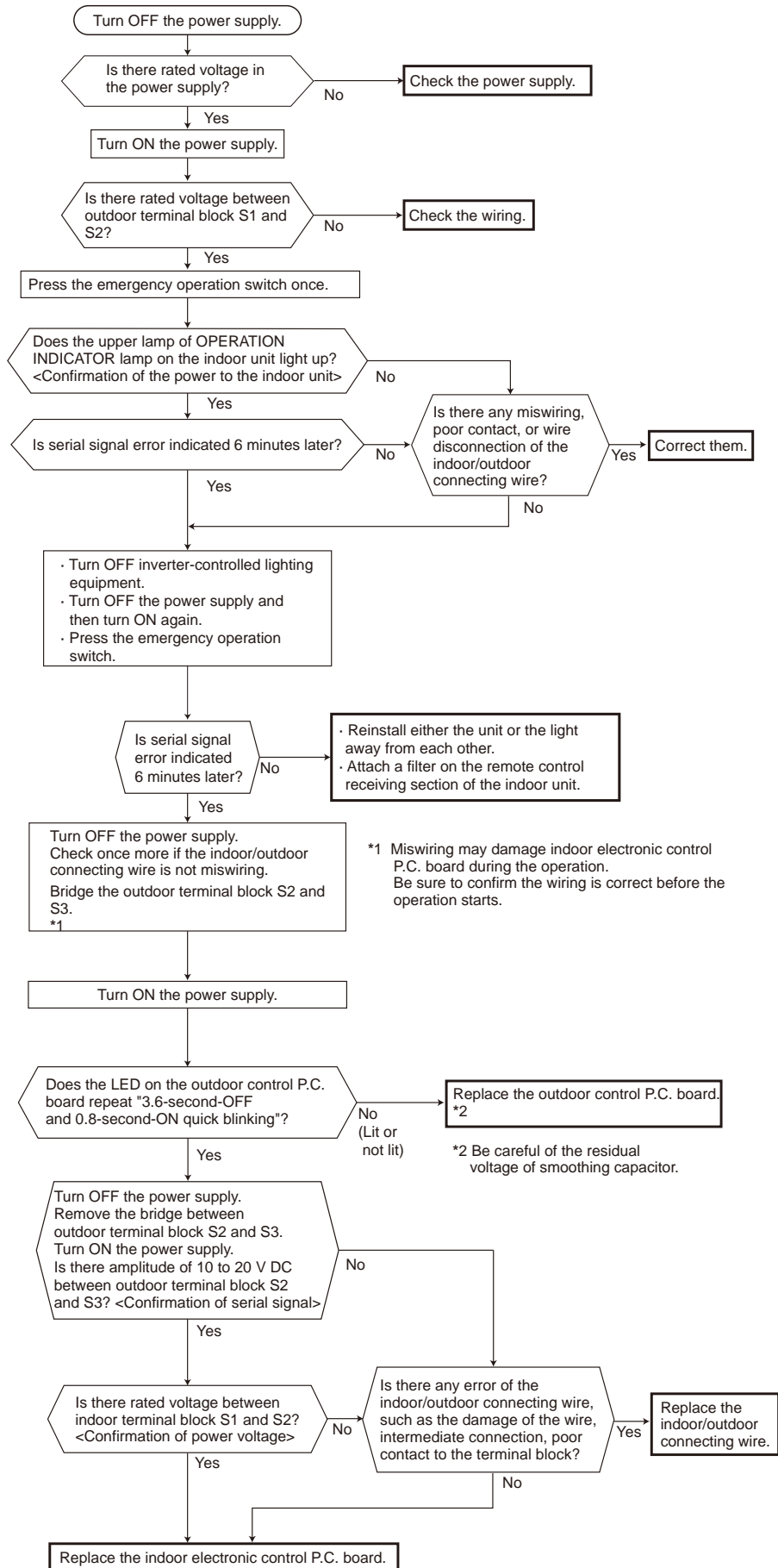
Pattern 1 and 2 is repeatedly displayed alternately. Each pattern is displayed for 10 seconds.

NOTE: "Lit" in the table below does not indicate abnormal communication.

Outdoor control P.C. board

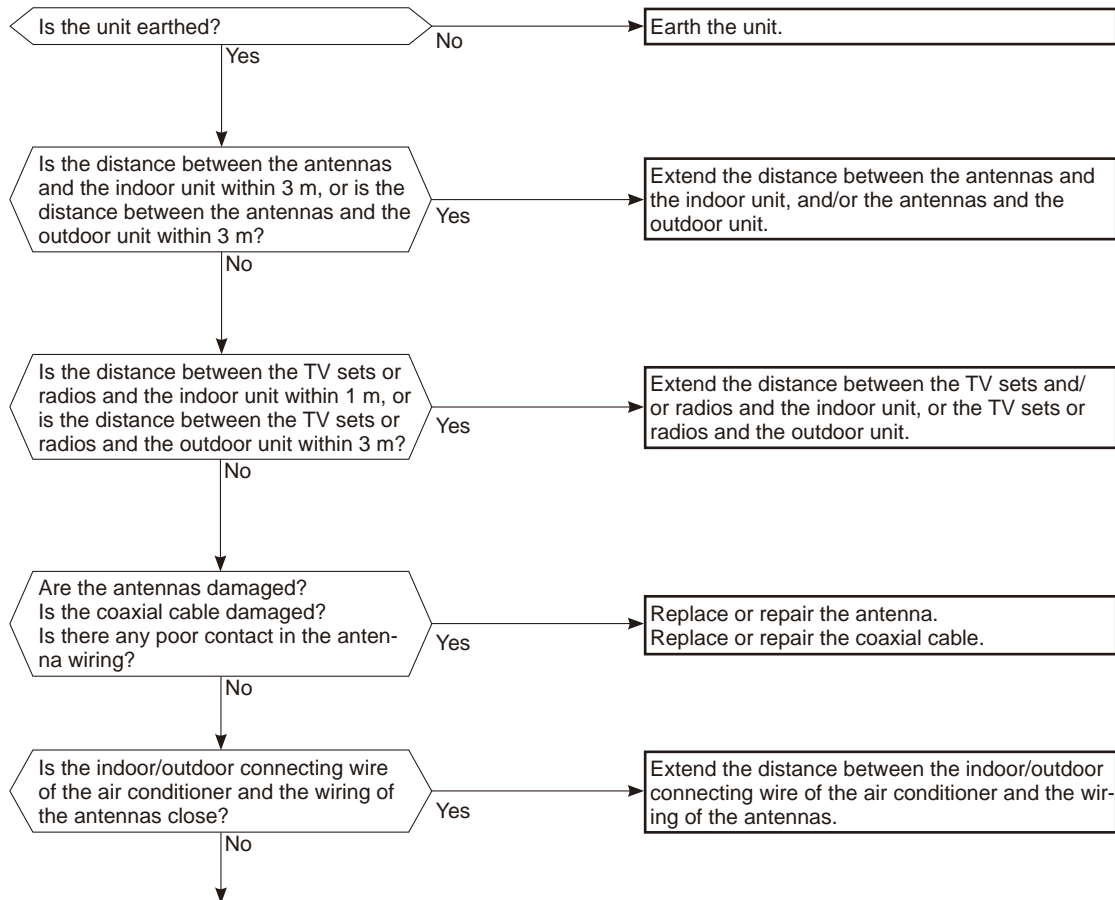


Pattern	LED 1	LED 2	LED 3
1	Unit A status	Unit B status	Lit
2	Unit C status	Unit D status	Not lit
3	Unit E status	—	Blinking



Be sure to release the failure-mode recall function after checking.

E Electromagnetic noise enters into TV sets or radios



Even if all of the above conditions are fulfilled, the electromagnetic noise may enter, depending on the electric field strength or the installation condition (combination of specific conditions such as antennas or wiring).

Check the following before asking for service.

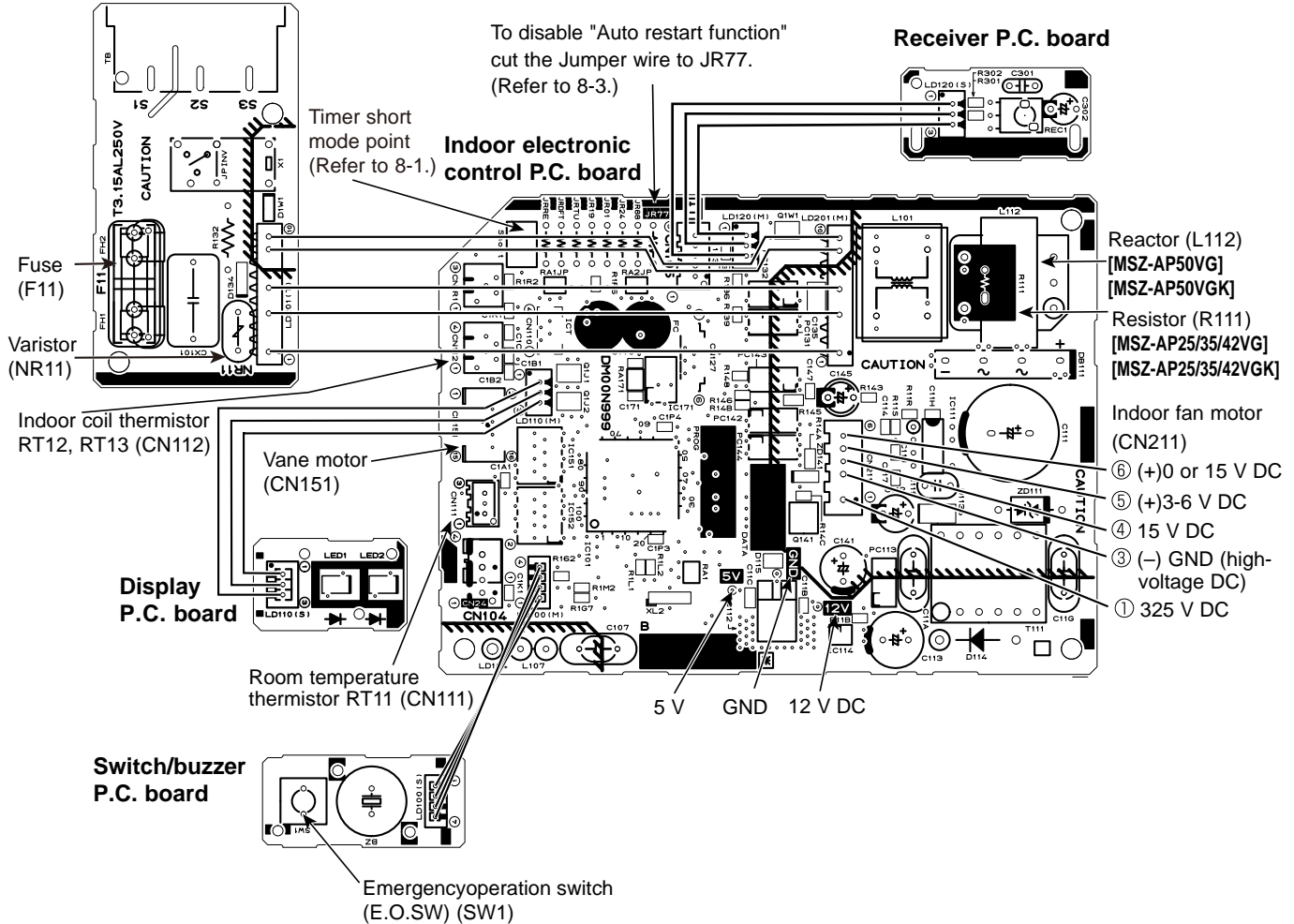
1. Devices affected by the electromagnetic noise
TV sets, radios (FM/AM broadcast, shortwave)
2. Channel, frequency, broadcast station affected by the electromagnetic noise
3. Channel, frequency, broadcast station unaffected by the electromagnetic noise
4. Layout of:
indoor/outdoor unit of the air conditioner, indoor/outdoor wiring, earth wire, antennas, wiring from antennas, receiver
5. Electric field intensity of the broadcast station affected by the electromagnetic noise
6. Presence or absence of amplifier such as booster
7. Operation condition of air conditioner when the electromagnetic noise enters in
 - 1) Turn OFF the power supply once, and then turn ON the power supply. In this situation, check for the electromagnetic noise.
 - 2) Within 3 minutes after turning ON the power supply, press OFF/ON (stop/operate) button on the remote controller for power ON, and check for the electromagnetic noise.
 - 3) After a short time (3 minutes later after turning ON), the outdoor unit starts running. During operation, check for the electromagnetic noise.
 - 4) Press OFF/ON (stop/operate) button on the remote controller for power OFF, when the outdoor unit stops but the indoor/outdoor communication still runs on. In this situation, check for the electromagnetic noise.

10-7. TEST POINT DIAGRAM AND VOLTAGE

1. Indoor electronic control P.C. board, indoor terminal P.C. board, receiver P.C. board, display board and switch/buzzer P.C. board

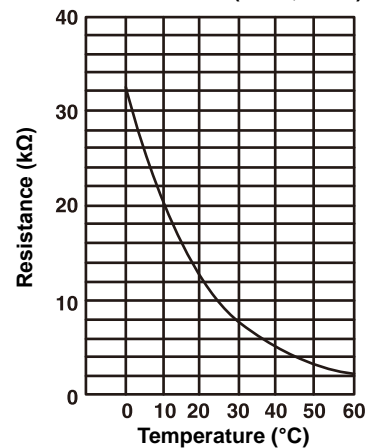
MSZ-AP25VG MSZ-AP35VG MSZ-AP42VG MSZ-AP50VG
MSZ-AP25VGK MSZ-AP35VGK MSZ-AP42VGK MSZ-AP50VGK

Indoor terminal P.C. board

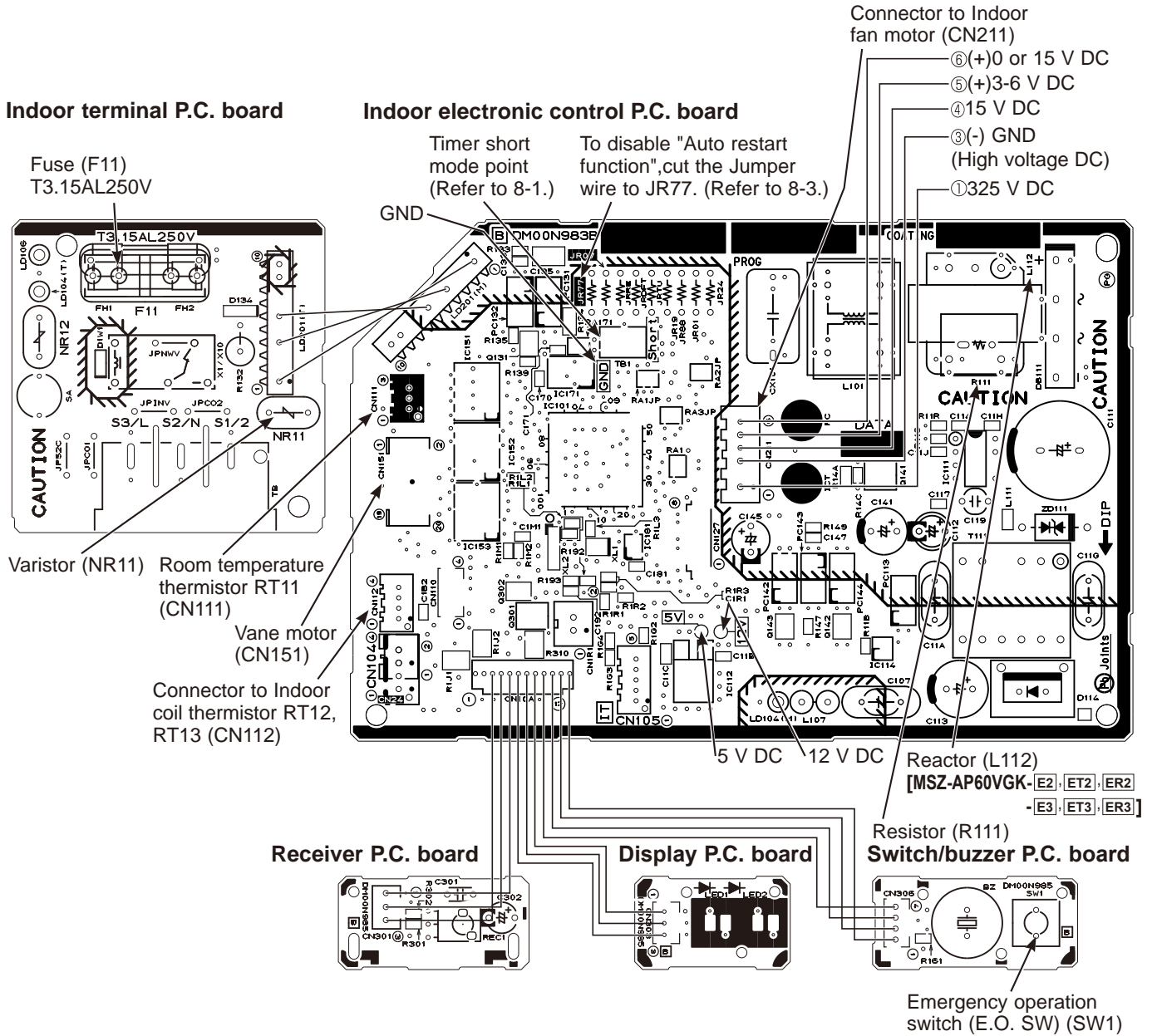


*Please replace the fuse after removing the indoor terminal P.C. board from the electrical box.

Room temperature thermistor (RT11)
Indoor coil thermistor (RT12, RT13)

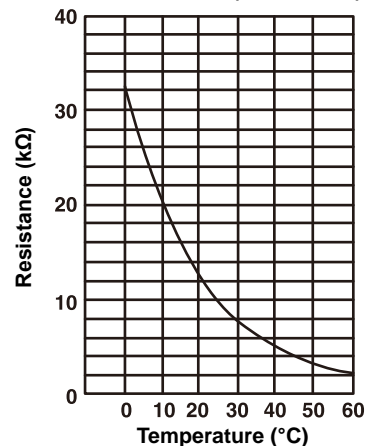


2. Indoor electronic control P.C. board, indoor terminal P.C. board, receiver P.C. board, display P.C. board and switch/buzzer P.C. board
MSZ-AP60VG MSZ-AP71VG MSZ-AP60VGK MSZ-AP71VGK



*Please replace the fuse after removing the indoor terminal P.C. board from the electrical box.

Room temperature thermistor (RT11)
Indoor coil thermistor (RT12, RT13)



<Detaching method of the terminal with locking mechanism>

The terminal which has the locking mechanism can be detached as shown below.

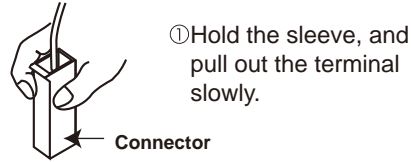
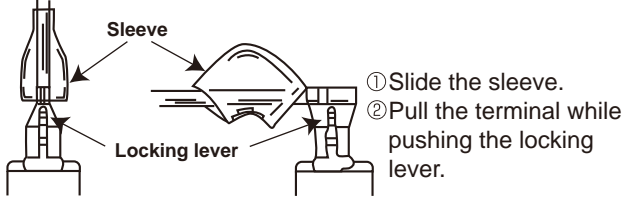
There are 2 types of the terminal with locking mechanism.

The terminal without locking mechanism can be detached by pulling it out.

Check the shape of the terminal before detaching.

(1) Slide the sleeve and check if there is a locking lever or not.

(2) The terminal with the connector shown below has the locking mechanism.



11-1. MSZ-AP25VG MSZ-AP35VG MSZ-AP42VG MSZ-AP50VG
MSZ-AP25VGK MSZ-AP35VGK MSZ-AP42VGK MSZ-AP50VGK

NOTE: Turn OFF the power supply before disassembly.

→ : Indicates the visible parts in the photos/figures.
---> : Indicates the invisible parts in the photos/figures.

OPERATING PROCEDURE	PHOTOS/FIGURES
<p>1. Removing the front panel and the panels (R/L/F/U) Removing the front panel (Photo 1, Figure 1) (1) Lift the front panel until a "click" is heard. (2) Hold the hinges and pull to remove the front panel (Figure 1). (3) Remove the horizontal vanes.</p> <p>Unlock the stopper and remove the horizontal vanes using following tool like a screw driver.</p> <p>Upper</p> <p>Lower</p>	<p>Photo 1</p> <p>Figure 1</p>

OPERATING PROCEDURE

Removing the panel (R) (Photos 1, 2, Figure 1)

- (1) Remove the front panel and the horizontal vanes (U) (L).
- (2) Remove the screw cap on the panel (R), and the screw.
- (3) Remove the 2 screws of the panel (R), and pull the top of the panel (R) toward you to remove.

Removing the panel (L) (Photos 1, 2, Figure 1)

- (1) Remove the front panel and the horizontal vanes (U) (L).
- (2) Remove the screw cap on the panel (L), and the screw.
- (3) Remove the screw of the panel (L), and pull the top of the panel (L) toward you to remove.

Removing the panel (F) (Photos 1, 2, 3 Figure 1)

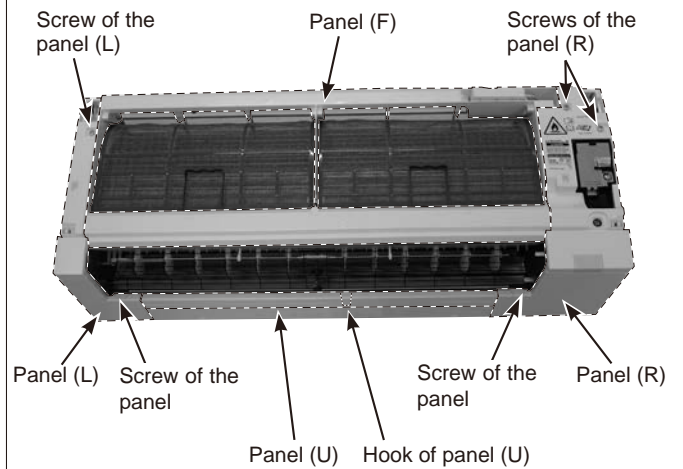
- (1) Remove the front panel and the horizontal vanes (U) (L).
- (2) Remove the panels (R) (L).
- (3) Remove the Wi-Fi interface on the right side of the panel (F). Pull out its cable, and remove the cable tie (Refer to section 2). **(MSZ-AP-VGK)**
- (4) Remove the panel (F) from the bottom to the top.

Removing the panel (U) (Photo 2, Figure 1)

- (1) Remove the front panel and the horizontal vanes (U) (L).
- (2) Remove the panels (R) (L).
- (3) Remove the center hook of the panel (U), and pull it toward you to remove.

PHOTOS/FIGURES

Photo 2



OPERATING PROCEDURE

2. Removing the Wi-Fi interface (Photos 3, 5) MSZ-AP-VGK

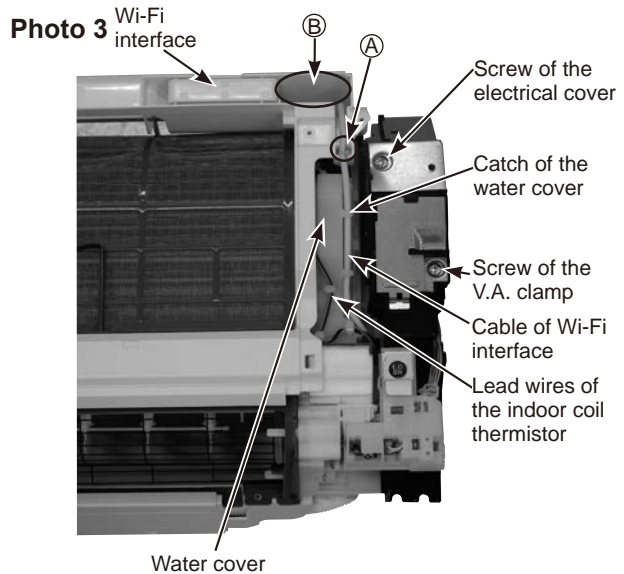
- (1) Remove the front panel and the horizontal vanes (U) (L).
- (2) Remove the panels (R) (L) (U).
- (3) Remove the Wi-Fi interface on the right side of the panel (F). Pull out its cable, and remove the cable tie, then remove the panel (F).
- (4) Remove the screw of the V.A. clamp and remove the V.A. clamp.
- (5) Remove the screw of the electrical cover, and remove the electrical cover.
- (6) Disconnect the following connector (Photo 5):
<Indoor electronic control P.C. board>
CN110 (Wi-Fi interface)
- (7) Remove the cable of the Wi-Fi interface from the water cover.
- (8) Unhook the catch on the left side of the display and receiver P.C. board holder. Pull the display and receiver P.C. board holder as if opening the door at 90 degrees.
- (9) Remove the lead wire of the Wi-Fi interface from the hook of the cable guide.

How to install the Wi-Fi interface (Photo 3)

Note: Install the Wi-Fi interface before installing the panel (R).

- (1) Install the panel (F).
- (2) Fasten the cable of the Wi-Fi interface to the part ① of the panel (F) with a cable tie.
- (3) Stow the cable of the Wi-Fi interface in the area ②.
- (4) Attach the Wi-Fi interface so that its cable is facing away from you on the right side.
- (5) Fasten the cable of the Wi-Fi interface to the water cover.
- (6) Attach the lead wire of the Wi-Fi interface to the hook of the cable guide.
- (7) Close the display and receiver P.C. board holder through the lead wire under the display and receiver P.C. board holder.
- (8) Connect the connector of the Wi-Fi interface (CN110) to the indoor electronic control P.C. board.
- (9) Install the electrical cover, and install the screw in the electrical cover.
- (10) Install the V.A. clamp, and install the screw in the V.A. clamp.
- (11) Install the panel (U).
- (12) Install the panel (R).
- (13) Install the panel (L).

PHOTOS/FIGURES



OPERATING PROCEDURE

3. Removing the indoor electrical box (Photos 3, 4, 5)

- (1) Remove the front panel and the horizontal vanes (U) (L).
- (2) Remove the panels (R) (L) (U) (F).
- (3) Remove the lead wires of indoor coil thermistor and the cable of the Wi-Fi interface (**MSZ-AP-VGK**) from the water cover (Photo 3).
- (4) Remove the earth wire connected to the indoor heat exchanger from the electrical box.
- (5) Disengage the catches of the water cover, and remove the water cover.
- (6) Remove the screw of the V.A. clamp (Photo 3).
- (7) Remove the V.A. clamp and the indoor/ outdoor connecting wire.
- (8) Remove the screw of the electrical cover, and remove the electrical cover (Photo 3).
- (9) Unhook the catch on the left side of the display and receiver P.C. board holder. Pull the display and receiver P.C. board holder as if opening the door at 90 degrees.
- (10) Disconnect the following connector (Photo 5):
<Indoor electronic control P.C. board>
CN110 (Wi-Fi interface) (**MSZ-AP-VGK**)
- (11) Remove the Wi-Fi interface (Refer to section 2). (**MSZ-AP-VGK**)
- (12) Disconnect the following connectors (Photo 5):
<Indoor electronic control P.C. board>
CN151 (Vane motors)
CN211 (Indoor fan motor)
CN112 (Indoor coil thermistors)
- (13) Remove the electrical box.

4. Removing the indoor terminal P.C. board, the switch board, the display board, the receiver board and the indoor electronic control P.C. board

- (1) Remove the indoor electrical box (Refer to section 3).
- (2) Remove the screw of the terminal block (Photo 5).
- (3) Remove the earth wire connected to the electrical box from the indoor electronic control P.C. board.
- (4) Remove the indoor terminal P.C. board.
- (5) Pull the display and receiver P.C. board holder as if opening the door at 90 degrees. Remove the display and receiver P.C. board holder from the axial rod on the electrical box.
- (6) Open the rear cover of the display and receiver P.C. board holder.
- (7) Remove the switch/ buzzer P.C. board, the display P.C. board and the receiver P.C. board.
- (8) Remove the indoor electronic control P.C. board.

PHOTOS/FIGURES

Photo 4

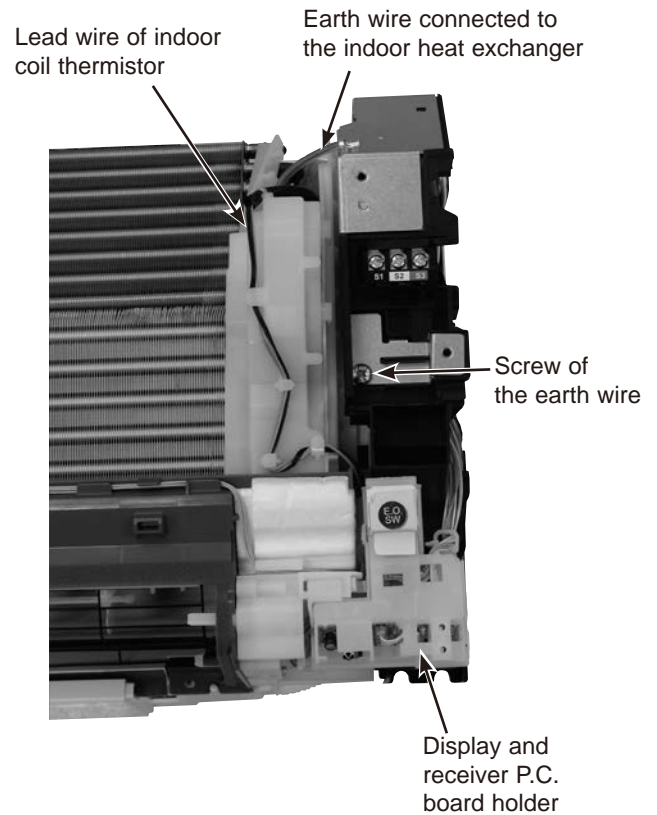
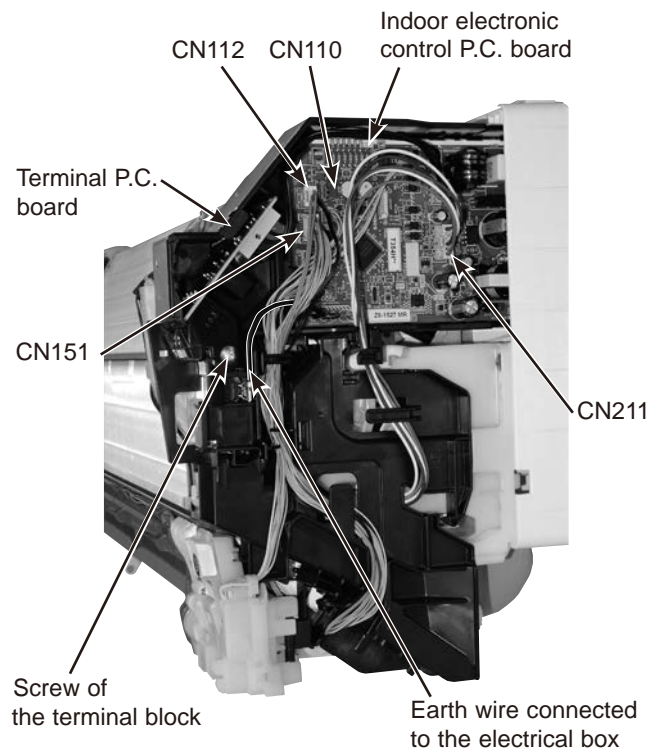


Photo 5



OPERATING PROCEDURE

5. Removing the nozzle assembly

- (1) Remove the front panel and the horizontal vanes (U) (L).
- (2) Remove the panels (R) (L) (U) (F).
- (3) Remove the indoor/outdoor connecting wire (Refer to section 3).
- (4) Remove the electrical cover (Refer to section 3).
- (5) Disconnect the following connector:
<Indoor electronic control P.C. board>
CN151 (Vane motors)
- (6) Unhook the catch on the left side of the display and receiver P.C. board holder. Pull the display and receiver P.C. board holder as if opening the door at 90 degrees. Remove the display and receiver P.C. board holder from the axial rod on the electrical box.
- (7) Pull out the drain hose from the nozzle assembly and remove the nozzle assembly.

6. Removing the vane motors (U) (L) (horizontal) and the vane motor (vertical)

- (1) Remove the front panel, the horizontal vanes (U) (L), the panels (R) (L) (F) (U), the Wi-Fi interface (**MSZ-AP-VGK**), the V.A. clamp, and the electrical cover.
- (2) Unhook the catch on the left side of the display and receiver P.C. board holder. Pull the display and receiver P.C. board holder as if opening the door at 90 degrees. Remove the display and receiver P.C. board holder from the axial rod on the electrical box.
- (3) Remove the following connector (Photo 5):
<Indoor electronic control P.C. board>
CN151 (Vane motors)
- (4) Pull out the drain hose from the nozzle assembly. Pull and remove the nozzle assembly (Refer to section 5).

Removing the vane motors (U) (L) (horizontal) (Photo 6)

- (5) Remove the 2 screws of the vane motor unit (U) (L) and remove the lead wires of the vane motors (U) (L) (horizontal).
- (6) Remove the screw of the vane motor unit (L) (horizontal), and remove the vane motor unit (L) (horizontal).
- (7) Remove the 2 screws of the vane motor unit (U) (horizontal) from the backside of the vane motor unit (U) (L) (horizontal), and remove the vane motor unit (L) (horizontal).

Removing the vane motor unit (vertical) (Photo 7, 8)

- (8) Remove the crank of the vane motor unit (vertical) from the vane (vertical).
- (9) Remove the 2 screws of the vane motor unit (vertical), and pull the vane motor unit (vertical).
- (10) Remove the 2 screws of the vane motor unit cover (vertical).
- (11) Remove the crank of the vane motor unit (vertical) from the shaft of the vane motor (vertical).
- (12) Remove the vane motor (vertical) from the vane motor unit (vertical).
- (13) Disconnect the connector of vane motor (vertical) from the vane motor (vertical).

PHOTOS/FIGURES

Photo 6

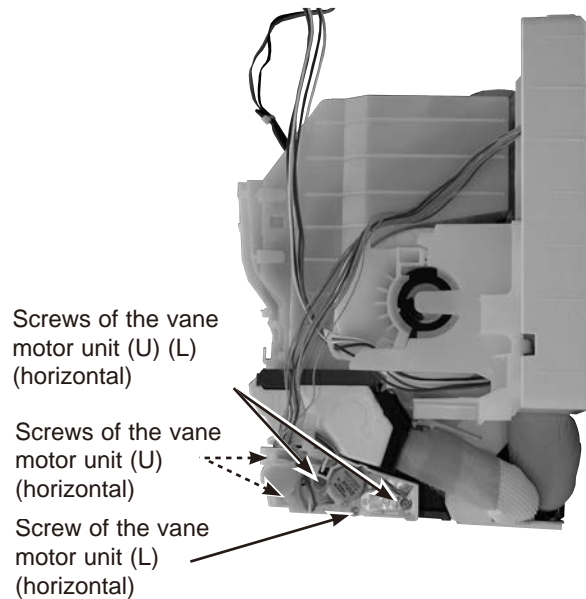


Photo 7

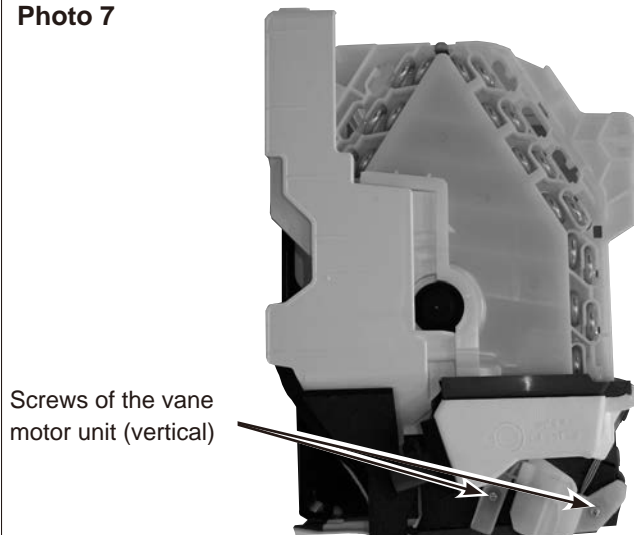
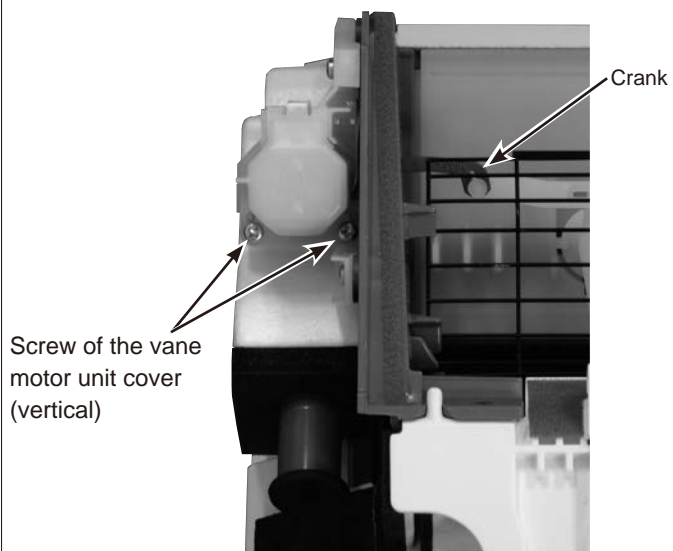


Photo 8



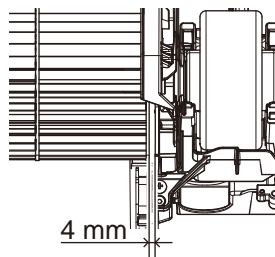
OPERATING PROCEDURE

7. Removing the line flow fan, the indoor fan motor assembly, the indoor coil thermistor (Photo 9, 10, 11)

- (1) Remove the front panel, the horizontal vanes (U) (L), the panels (R) (L) (F) (U), the Wi-Fi interface (**MSZ-AP-VGK**), the electrical box, and the nozzle assembly.
- (2) Loosen the screw inside the right side of the line flow fan (Photo 9).
- (3) Remove the 3 screws of the fan motor assembly. Pull the fan motor assembly slightly toward you, and remove it by pulling to the right (Photo 10).
- (4) Remove the indoor coil thermistor from the heat exchanger.
- (5) Remove the 2 screws of the hairpin holder on the left side of the heat exchanger. Raise the left side of the heat exchanger, and pull the line flow fan to the lower left to remove (Photo 11).

*1 When attaching the line flow fan, screw the line flow fan so 4 mm gap is provided between the right end of the line flow fan and the right wall of the air passage of the box (Figure 2).

Figure 2



PHOTOS/FIGURES

Photo 9

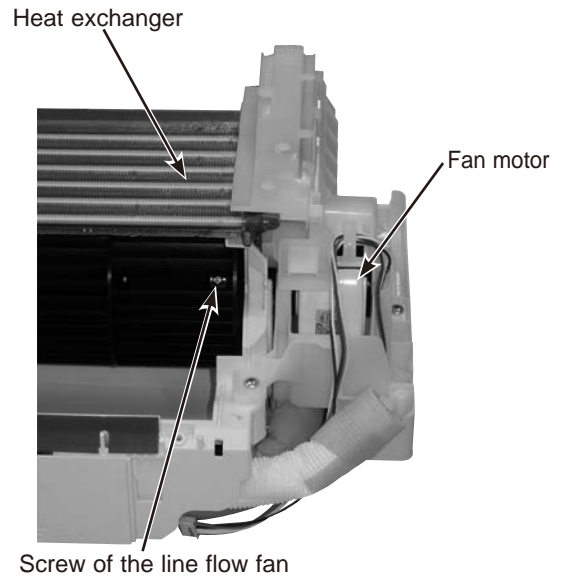


Photo 10

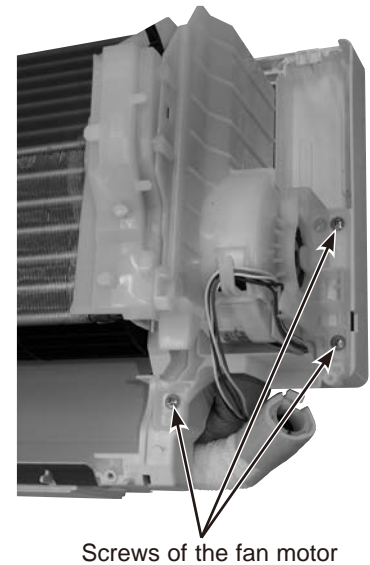
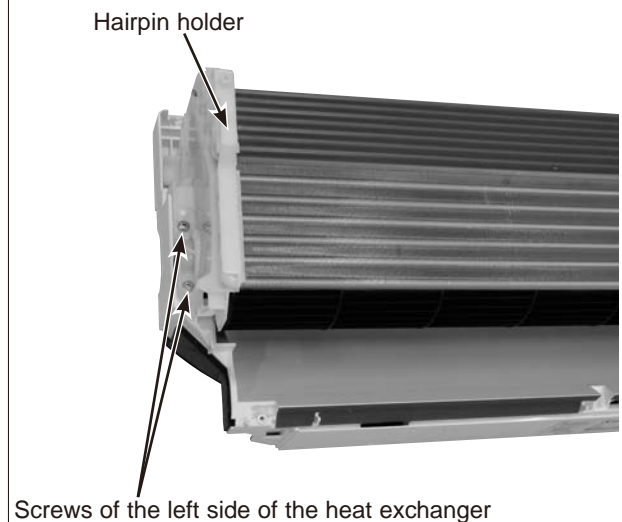
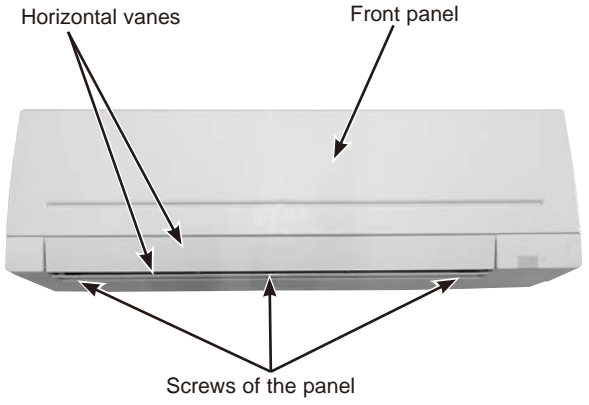
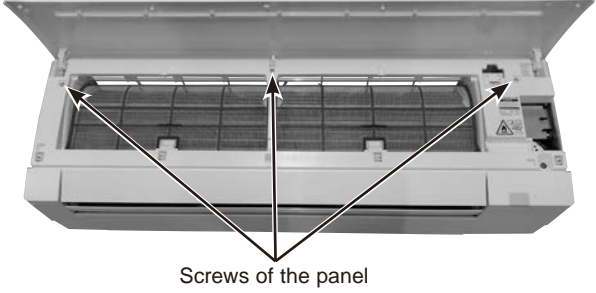


Photo 11



11-2. MSZ-AP60VG MSZ-AP71VG
MSZ-AP60VGK MSZ-AP71VGK

NOTE: Turn OFF the power supply before disassembly.

OPERATING PROCEDURE	PHOTOS/FIGURES
<p>1. Removing the panel</p> <ol style="list-style-type: none"> (1) Remove the horizontal vanes. (2) Remove the screw caps of the panel. Remove the screws of the panel. (3) Hold the lower part of both ends of the panel and pull it slightly toward you, and then remove the panel by pushing it upward. <p>2. Removing the Wi-Fi interface (Photos 3, 4) MSZ-AP-VGK</p> <ol style="list-style-type: none"> (1) Remove the front panel, the panel and the right corner box. (2) Remove the Wi-Fi interface on the right side of the panel (F). Pull out its cable, and remove the cable tie, then remove the panel (F). (3) Remove the screw of the V.A. clamp and remove the V.A. clamp. (4) Remove the screw of the electrical cover, and remove the electrical cover. (5) Disconnect the following connector (Photo 4): <Indoor electronic control P.C. board> CN110 (Wi-Fi interface) (6) Remove the cable of the Wi-Fi interface from the water cover. (7) Remove the lead wire of the Wi-Fi interface from the hook of the cable guide. <p>How to install the Wi-Fi interface (Photo 3)</p> <p>Note: Install the Wi-Fi interface before installing the panel.</p> <ol style="list-style-type: none"> (1) Install the panel (F). (2) Fasten the cable of the Wi-Fi interface to the part ㉔ of the panel with a cable tie. (3) Stow the cable of the Wi-Fi interface in the area ㉕. (4) Attach the Wi-Fi interface so that its cable is facing away from you on the right side. (5) Fasten the cable of the Wi-Fi interface to the water cover. (6) Attach the lead wire of the Wi-Fi interface to the hook of the cable guide. (7) Connect the connector of the Wi-Fi interface (CN110) to the indoor electronic control P.C. board. (8) Install the electrical cover, and install the screw in the electrical cover. (9) Install the V.A. clamp, and install the screw in the V.A. clamp. 	<p>Photo 1</p>  <p>Horizontal vanes Front panel</p> <p>Screws of the panel</p> <p>Photo 2</p>  <p>Screws of the panel</p>

OPERATING PROCEDURE

3. Removing the indoor terminal P.C. board, the indoor electronic control P.C. board, the display P.C. board, switch/buzzer P.C. board and the receiver P.C. board

- (1) Remove the panel (Refer to section 1) and the right corner box.
- (2) Remove the cable of the Wi-Fi interface (**MSZ-AP-VGK**) from the water cover (Refer to section 2).
- (3) Remove the screw of the V.A. clamp. Remove the V.A. clamp and the indoor/outdoor connecting wire.
- (4) Remove the screw of the electrical cover, and then the electrical cover.
- (5) Remove the earth wire connected to the indoor electronic control P.C. board from the electrical box.
- (6) Unhook the catch on the left side of the display and receiver P.C. board holder. Pull the display and receiver P.C. board holder as if opening the door at 90 degrees.
- (7) Open the rear cover of the display and receiver holder and pull out the display P.C. board, the switch/buzzer P.C. board and the receiver P.C. board.
- (8) Disconnect all the connectors on the indoor electronic control P.C. board and unhook all lead wires.
- (9) Remove the screw of the terminal block on the indoor terminal P.C. board.
- (10) Remove the indoor terminal P.C. board and the indoor electronic control P.C. board.

4. Removing the indoor electrical box

- (1) Remove the panel (Refer to section 1) and the right corner box.
- (2) Remove the cable of the Wi-Fi interface (**MSZ-AP-VGK**) from the water cover (Refer to section 2).
- (3) Remove the indoor/outdoor connecting wire. (Refer to section 3)
- (4) Remove the earth wire connected to the indoor heat exchanger from the electrical box.
- (5) Remove the screw of the electrical cover and remove the electrical cover.
- (6) Disconnect all the connectors on the indoor electronic control P.C. board and unhook all lead wires.
- (7) Remove the screw fixing the electrical box, then the upper catch of the electrical box, and pull out the electrical box.

PHOTOS/FIGURES

Photo 3

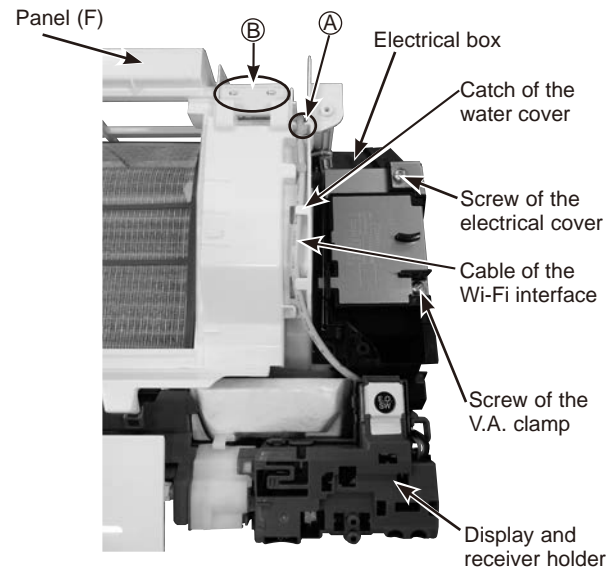
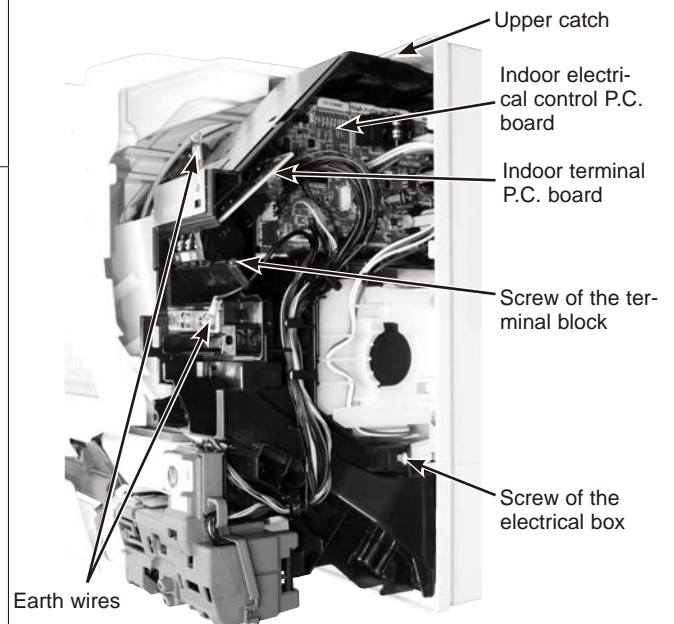


Photo 4



OPERATING PROCEDURE

PHOTOS/FIGURES

5. Removing the nozzle assembly

- (1) Remove the panel (Refer to section 1) and the right corner box.
- (2) Remove the V.A. clamp, and then the indoor/outdoor connecting wire. (Photo 3)
- (3) Remove the electrical cover. (Photo 3)
- (4) Disconnect the following connectors on the electronic control P.C. board:
CN151 (Horizontal vane motor)
- (5) Unhook the catch on the left side of the display and receiver P.C. board holder. Pull the display and receiver P.C. board holder as if opening the door at 90 degrees.
- (6) Pull out the drain hose from the nozzle assembly and remove the nozzle assembly.

Photo 5

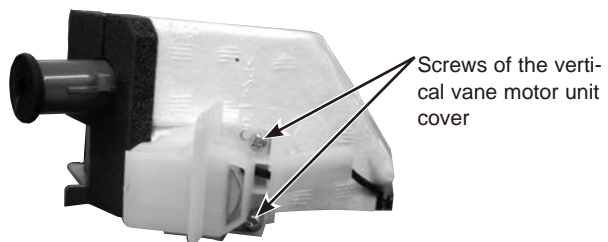


Screw of the vertical vane motor unit

6. Removing the vertical vane motor unit

- (1) Remove the nozzle assembly. (Refer to section 5)
- (2) Remove the crank of the vertical vane motor unit from the arm of the vertical vane.
- (3) Remove the screw of the vertical vane motor unit, and pull the vertical vane motor unit.
- (4) Remove the screws of the vertical vane motor unit cover.
- (5) Remove the crank of the vertical vane motor unit from the shaft of the vane motor.
- (6) Remove the vertical vane motor from the vertical vane motor unit.
- (7) Disconnect the connector of vertical vane motor from the vertical vane motor.

Photo 6

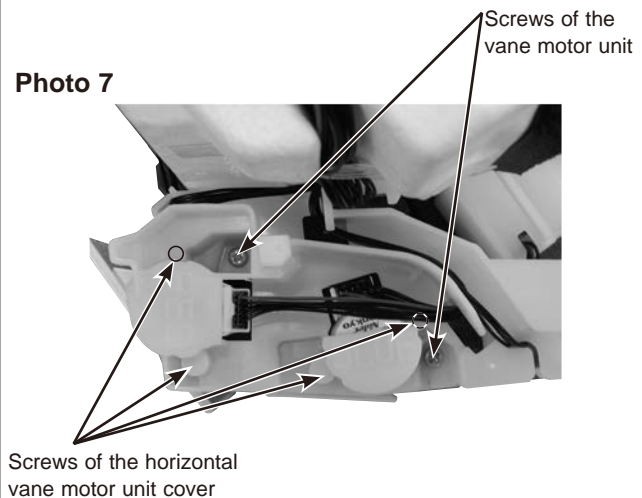


Screws of the vertical vane motor unit cover

7. Removing the horizontal vane motor

- (1) Remove the nozzle assembly. (Refer to section 5)
- (2) Remove the screws of the horizontal vane motor unit, and pull out the horizontal vane motor unit.
- (3) Disconnect the connector from the horizontal vane motor.
- (4) Remove the screws of the horizontal vane motor unit cover.
- (5) Remove the horizontal vane motor from the horizontal vane motor unit.

Photo 7



Screws of the horizontal vane motor unit cover

OPERATING PROCEDURE

8. Removing the water cut, the indoor fan motor, the indoor coil thermistor, and the line flow fan

- (1) Remove the panel (Refer to section 1) and the right corner box.
- (2) Remove the display and receiver holder, the electrical box and the nozzle assembly. (Refer to section 4 and 5)
- (3) Remove the screw of the water cut and remove the water cut.
- (4) Remove the screws fixing the motor bed.
- (5) Loosen the screw fixing the line flow fan.
- (6) Remove the motor bed together with fan motor and motor band.
- (7) Release the hooks of the motor band. Remove the motor band. Pull out the indoor fan motor.
- (8) Remove the indoor coil thermistor from the heat exchanger.
*Install the indoor coil thermistor in its former position when assembling it.
- (9) Remove the screws fixing the left side of the heat exchanger.
- (10) Lift the heat exchanger, and pull out the line flow fan to the lower-left.

* When attaching the line flow fan, screw the line flow fan so 5 mm gap is provided between the right end of the line flow fan and the right wall of the air passage of the box (Figure 1).

Figure 1

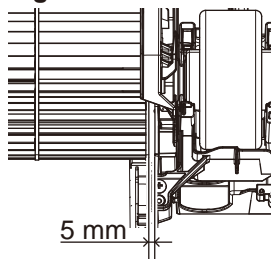
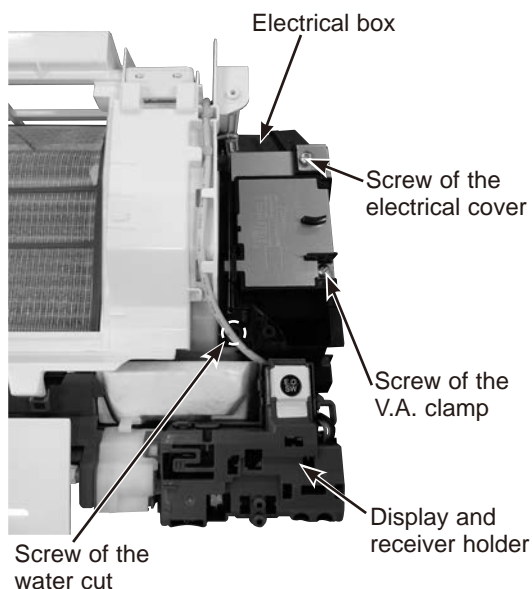


Photo 8



PHOTOS/FIGURES

Photo 9

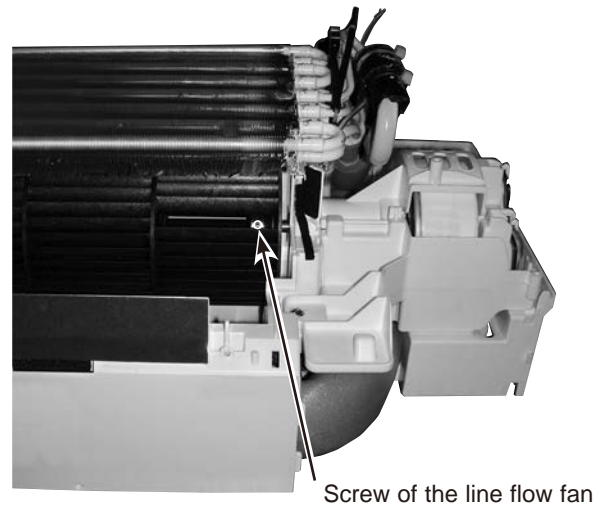


Photo 10

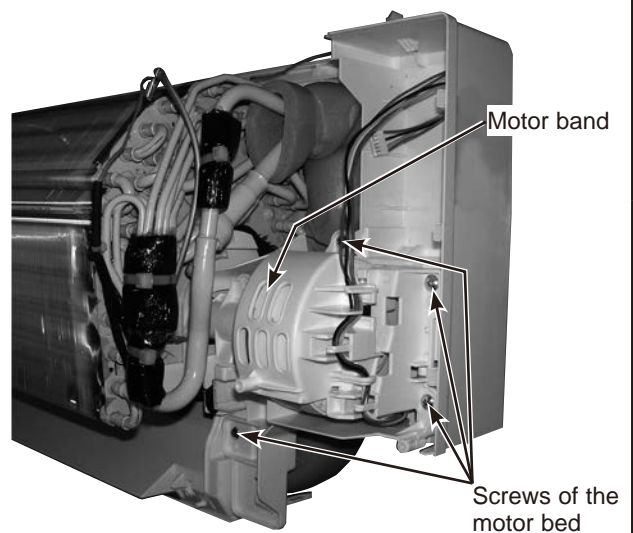
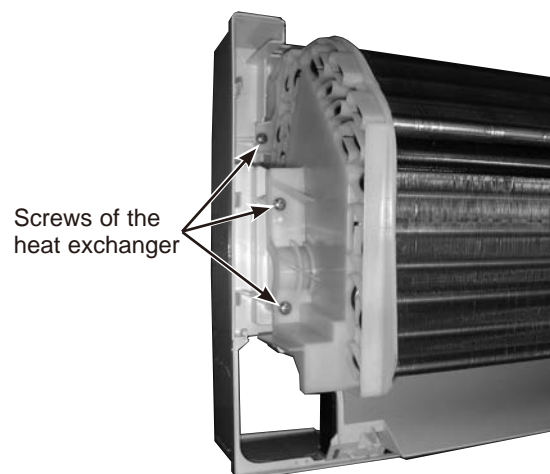


Photo 11



Fixing the indoor coil thermistor

*There are 2 forms of parts for fixing the indoor coil thermistor.

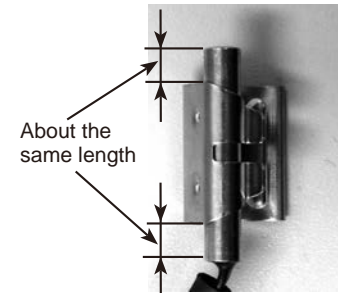
Clip shape



Holder shape



When fixing the indoor coil thermistor to the clip-shape/holder-shape part, the lead wire should point down.

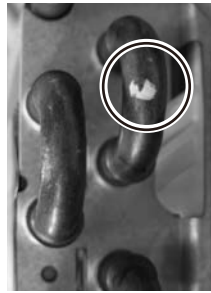


Position and procedure for mounting the clip-shape part

1. Set the indoor coil thermistor in the center of the clip-shape part.



2. Check the (marked) mounting position.



3. Mount the clip-shape part.



NOTE:

- Take care to avoid loss and accidental falling of the clip-shape part inside the unit.
- Mount the clip-shape part on the marked position.
- Do not pull the lead wire when removing the indoor coil thermistor.

MITSUBISHI ELECTRIC CORPORATION

HEAD OFFICE: TOKYO BUILDING, 2-7-3, MARUNOUCHI, CHIYODA-KU, TOKYO 100-8310, JAPAN

© Copyright 2017 MITSUBISHI ELECTRIC CORPORATION

Issued: Aug. 2021. No. OBH788 REVISED EDITION-E

Issued: Oct. 2020. No. OBH788 REVISED EDITION-D

Issued: Dec. 2019. No. OBH788 REVISED EDITION-C

Issued: Mar. 2019. No. OBH788 REVISED EDITION-B

Issued: May 2018. No. OBH788 REVISED EDITION-A

Published: Dec. 2017. No. OBH788

Made in Japan

Specifications are subject to change without notice.