

TEST REPORT

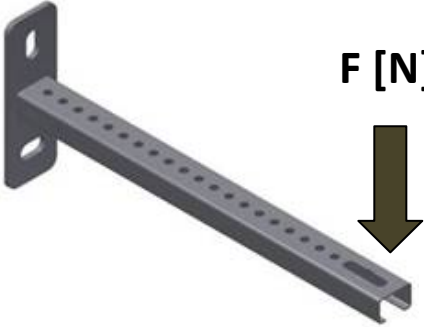
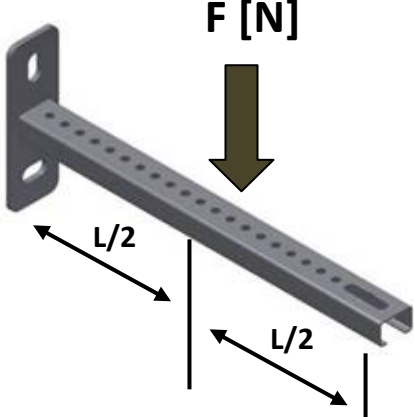
Report number: 102SATM11 – 0

LOAD CAPACITY ON SUPPORTS - REF.: 27 x 18 x 300

Load capacity of the supports

The maximum loads are calculated according to the following conditions:

- The maximum bending is $< L/150$
- The tests were done using a 200kN-capacity mechanical universal-testing machine

Support Length		
300 mm	130 N	539 N

General observations:

- Fundació Eurecat is not responsible for the validity of the additional information provided by the Customer (samples identification, technical documentation, etc.).
- The presented results refer exclusively to the material provided to the laboratory, as it is indicated in the corresponding paragraph, and tested under the conditions described in the norm/s and/or procedure/s mentioned in this document.
- Once the study is finished and in the case that the Customer doesn't claim for the provided samples, they will be eliminated in a period of time less than 6 months from the delivery date of the final technical report.
- It's not allowed the partial or total reproduction of this document without the written permission of the manager of Fundació Eurecat

Manresa 04 - 03 - 2011

Carles Abad

Head of Technological services of Fundació Eurecat