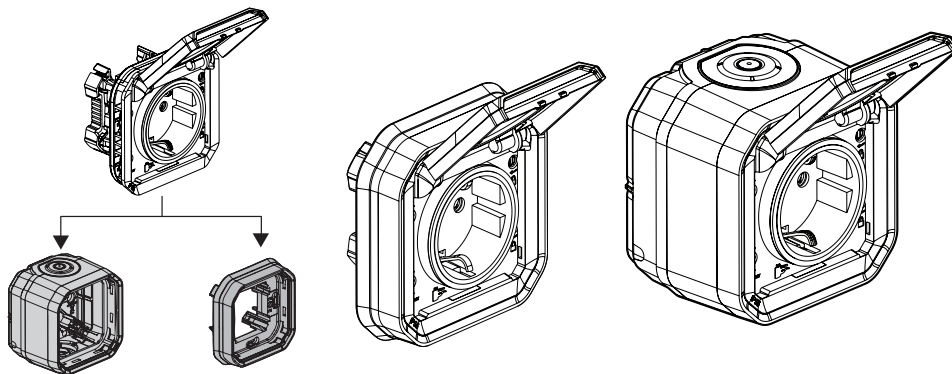


# Plexo™

## 2P+E Schuko socket outlets

Cat. No(s): 0 695 70LDE/71LDE  
0 696 39LDE/40LDE  
0 697 30LDE/33LDE/70LDE/71LDE/83LDE/99LDE  
0 698 33LDE/34LDE/39LDE/59LDE  
0 698 68LDE/69LDE/71LDE



### 1. USE

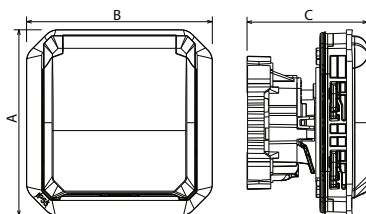
Weatherproof wiring accessory system for residential and professional plant rooms (garages, cellars, car parks, industrial workshops and kitchens) as well as outdoor environments (terraces, gardens, camp sites, etc). Socket outlets with protection eclips.

### 2. RANGE

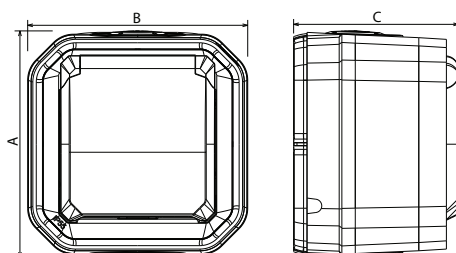
		References
Configurable		0 695 70LDE/71LDE 0 696 39LDE/40LDE 0 698 39LDE/71LDE
Surface-mounting complete		0 697 30LDE/33LDE/70LDE/71LDE/83LDE/99LDE
Flush-mounting complete		0 698 33LDE/34LDE/59LDE/68LDE/69LDE

### 3. OVERALL DIMENSIONS (mm)

#### ■ Configurable

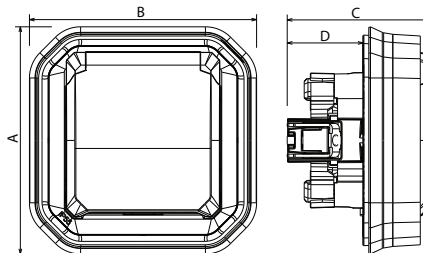


#### ■ Surface-mounting



### 3. OVERALL DIMENSIONS (mm) (continued)

#### ■ Flush-mounting



	A	B	C	D
Configurable	70.5	70.5	45.75	-
Surface-mounting	84.5	82	61.55	-
Flush-mounting	85.1	85.1	54.4	28.4

### 4. CONNECTION

Type of terminals: automatic  
Terminal capacity: 1.5 mm<sup>2</sup> - 2.5 mm<sup>2</sup> (1 or 2 conductors)  
Stripping length: 12 mm

### 5. TECHNICAL CHARACTERISTICS

#### ■ 5.1 Protection index

Protection against solid bodies and liquids:  
\_ IP 55 with flap closed  
\_ IP 44 with flap open  
Protection against impact: IK 08

#### ■ 5.2 Material characteristics

Box, support: PP reinforced  
Front plate, flap: ABS  
Entry gland, cover plate: PP + SEBS  
Mechanism: PC  
UV-resistant  
Halogen-free  
Resistance to salt spray: 7 days (168 h)  
Self-extinguishing:  
850°C/30 s for insulating components holding live parts in place.  
650°C/30 s for other insulating components.

## 5. TECHNICAL CHARACTERISTICS *(continued)*

### ■ 5.3 Electrical characteristics

Voltage: 250 V~

Current: 16 A

Frequency: 50 Hz

### ■ 5.4 Climate characteristics

Usage temperature: - 10° à + 40° C

Storage temperature: - 25° C à + 60° C

## 6. CLEANING

Surface cleaning with a cloth.

Do not use: acetone, tar remover, trichloroethylene.

Maintenance with the following products: Hexane (EN 60669-1),

Methylated spirit, Soapy water, Diluted ammonia, Bleach diluted to 10%,

Window-cleaning products, Pre-saturated wipes.

**Caution:** A preliminary test should be carried out if other specific cleaning products are to be used.

## 7. STANDARDS AND APPROVALS

Compliance with standards of installation and manufacturing.

Refer to e. catalogue.